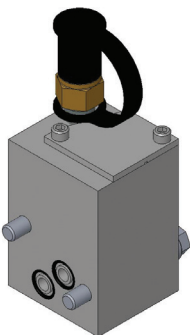
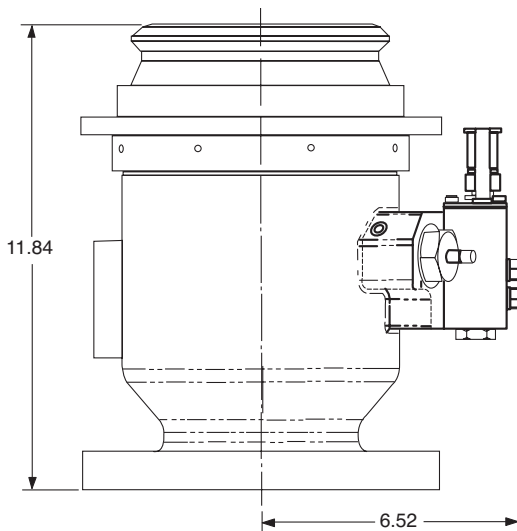


- Complies with EI Specification 1584 Fourth Edition
- Body of Ductile Iron and Stainless Steel – No Aluminum
- Stainless Steel Piston
- Multiple Options for Pilot Operations
- Optional Emergency Air Release Lanyard for the Pneumatic Pilots
- Operating Temperature: -40 to +180 F (-40 to 80C)
- Fits Within 13 Inch Diameter Pits
- Optional Excess Flow Shut-off
- Dust Cap
- Three Year Warranty

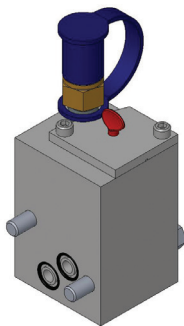
The Model 352GF Hydrant Pit Valve is a piston style, pilot operated on / off valve designed for use in aircraft refueling hydrant systems. The Model 352GF Hydrant Pit Valve can be ordered with either a manual deadman pilot or a pneumatic deadman pilot. When fitted with a pneumatic pilot, an optional emergency air release lanyard for manual override can be added to provide a way to close the pit valve even with deadman air pressure actively applied.

The outlet of the Model 352GF Hydrant Pit Valve can be connected to by any 4 inch API hydrant pit coupler, such as the Cla-Val Model 351GF-15 Hydrant Coupler and 353GF Pressure Control Coupler. It complies with the requirements of EI Specification 1584 Fourth Edition. The upper API body of the Model 352GF Hydrant Pit Valve is made of hardened stainless steel. The lower body is made of ductile iron. Aluminum is not used for these critical pressure containing components.

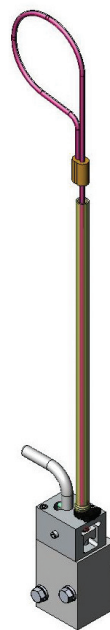
It incorporates a servicing valve which allows for the removal of the pilot for service without the need to de-pressurize the delivery system.



Air Pilot Assembly



Defuel Air Pilot Assembly



Manual Pilot Assembly



Emergency Air Release Assembly



CLA-VAL 352GF

Hydrant Pit Valve

Materials Specification

Body Material	Ductile Iron ASTM A536 65-45-12
API Adapter	Stainless Steel
Pilot Valve	Aluminum or Stainless Steel
Seals	Nitrile and Fluorocarbon
Poppet	Hard Anodized Aluminum
Piston	Stainless Steel
Dust Cap	Polyurethane Company
Corrosion Protection	Electroless Nickel-Plated to MIL-C-26047 (4 to 6mm penetration)

Warranty: Three Years



Ordering Information

Option letters and numbers may be combined with the basic unit, except as noted, to customize the valve to fit specific installation requirements.

Option	Description
4	Pit Valve 4" Inlet ANSI 150
6	Pit Valve 6" Inlet ANSI 150
A	Air / Fuel Pilot
AD	Air Pilot with Defuel
M	Manual Pilot
AL	Air Pilot with Override
S4	Stone Guard 4" with Snap Ring
S6	Stone Guard 6" with Snap Ring
I	20 Mesh Strainer 4" and 6"

Ordering Example

Model # 352GF-4ALS4

Standard pit valve with 4" inlet flange ANSI 150 with pneumatic operated pilot valve and lanyard override s/w stone guard on inlet



**CLA-VAL
GLOBAL HEADQUARTERS**
1701 Placentia Avenue
Costa Mesa, CA 92627
Phone: 800-942-6326
Fax: 949-548-5441
E-mail: info@cla-val.com

CLA-VAL EUROPE
Chemin des Mésanges 1
CH-1032 Romanel/
Lausanne, Switzerland
Phone: 41-21-643-15-55
www.cla-val.ch
E-mail: cla-val@cla-val.ch

CLA-VAL PACIFIC
45 Kennaway Road
Woolston, Christchurch, 8023
New Zealand
Phone: 64-39644860
www.cla-valpac.com
E-mail: info@cla-valpac.com