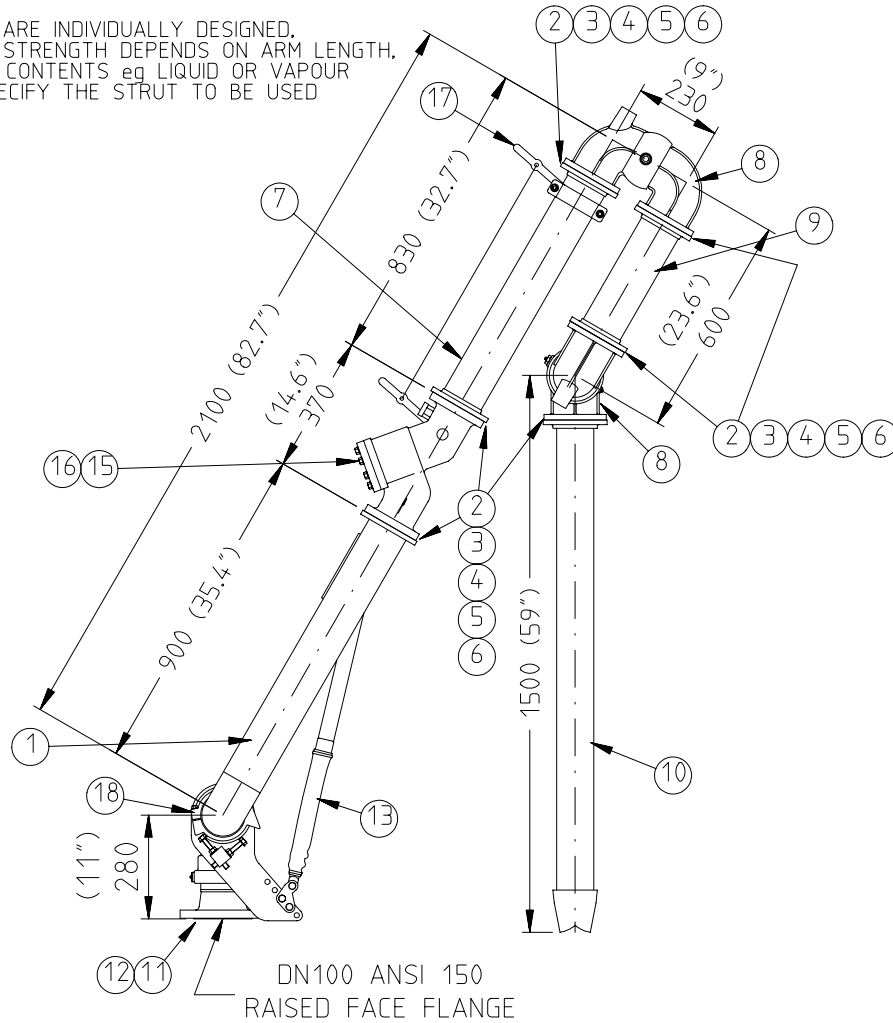


# LIQUIP

## MK3 PANTOGRAPH STYLE TOP LOADING ARM

NOTE:  
ALL LOADING ARMS ARE INDIVIDUALLY DESIGNED.  
LIFT-O-MAT STRUT STRENGTH DEPENDS ON ARM LENGTH,  
ARM MATERIAL AND CONTENTS eg LIQUID OR VAPOUR  
EACH JOB MUST SPECIFY THE STRUT TO BE USED



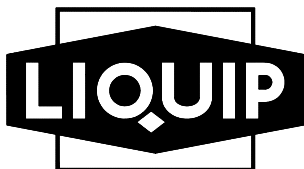
DN100 ANSI 150  
RAISED FACE FLANGE

ITEM	PART NO	DESCRIPTION	QTY	MATERIAL	GRADE
1	VBT100MMV	BALANCE ASSEMBLY MK3 PANTOGRAPH STYLE	1	STEEL	A633-E
2	4248	GASKET	6	KLINGERITE	C4430
3	6745	BOLT	48	Z/P M/S	CLASS 8.8
4	6755	NUT	48	Z/P M/S	CLASS 8
5	5261	WASHER SPRING	48	Z/P M/S	MED
6	5288	WASHER FLAT	96	Z/P M/S	250
7	L219T	PRIMARY SPOOL 100NB C/W 100TTMA FLANGES	1	STEEL	A178-C
8	VNI-A4	INTERMEDIATE SWIVEL 100mm TTMA FLANGE	2	ALUMINIUM	AA601
9	L219A	SECONDARY SPOOL 100NB C/W 100 TTMA FLANGES	1	ALUMINIUM	6061-T6
10	L215	DROP SPOOL 100mm TUBE WITH SPEAR DIFFUSER	1	ALUMINIUM	6060-T5
11	4235	GASKET ANSI 150 SEAL FACE	1	KLINGERITE	C4430
12	4892	STUD B7 C/W 2 x NUTS 2H	8	STEEL	B7 & 2H
13		LIFT-O-MAT STRUT (SEE NOTE ABOVE)	1	STEEL	
14	6359	VT3 INSTALLATION INSTRUCTIONS	1	PAPER	
15	LA560-4H	LOADING VALVE 100NB C/W 100TTMA FLANGES	1	ALUMINIUM	AA601
16	VB100	VACUUM BREAKER	1	BRASS	304
17	RH100	REMOTE HANDLE ASSY FOR LOADING VALVE	1	ALUMINIUM	AA601
18	UDS100R	UP/DOWN STOP FOR 100mm RIGHT HAND ARM	1	STEEL	250

X1250398

Issue: D

METERS - VALVES - VENTS - MANHOLES - PUMPS - HOSEREELS - OVERFILL PROTECTION - LOADING ARMS - ELECTRONIC DIPSTICKS



LIQUIP INTERNATIONAL PTY LTD

13 Hume Road  
Smithfield, Sydney  
NSW Australia 2164  
Phone: +61 2 9725 9000  
Fax: +61 2 9725 1252

DISTRIBUTORS

See inside front cover  
for Liquip branches  
and Distributors or visit

www.liquip.com