

LYNX Series Bottom Loading Coupler

The LYNX series brings together the best features of all API couplers to provide a superior and effortless bottom loading experience.

Built with some key stainless steel components and coming in at 8.6kg, the industry leading LYNX Series coupler is impressive by any measure.

From the moment you use the LYNX, you will experience outstanding performance and advanced safety combined with ease of servicing and extended service.

The LYNX has been developed with attention to detail and superior quality.

Key Features

- Fast in-field replacement of main seals, on or off the arm.
- Quick and easy disassembly of entire coupler through U-pin design.
- Automatic Latching.
- U-pin is secured when the TTMA flange is fastened to prevent the pin from coming out in service.
- A range of seals available for use to suit a range of applications.
- Two operating handle sizes to suit customer preferences.
- Four, “true interlocking” stainless steel latches ensure secure coupling and maximum safety.
- High quality components including a stainless steel collar and hard anodised aluminium body for increased service durability and life.
- Minimal product leakage during disconnect increases site safety.
- Low risk of leakage through a proven sealing design.
- Ergonomic operating handle and carry loop results in less physical strain on users during use.



LYNX852 model shown

Ordering Information

LYNX850 Short Handle, Viton B	LYNX852 Long Handle, Viton B	LYNX860 Short Handle Drip Catcher, Viton B
LYNX850VG Short Handle, Viton GFLT	LYNX852VG Long Handle, Viton GFLT	LYNX860VG Short Handle Drip Catcher, Viton GFLT
LYNX850C* Short Handle, FFKM	LYNX852C* Long Handle, FFKM	LYNX862 Long Handle Drip Catcher, Viton B
	LYNX852G Long Handle, AVGAS Selective	LYNX862VG Long Handle Drip Catcher, Viton GFLT
	LYNX852J Long Handle, Jet Selective	
	LYNX852VGP Long Handle, Viton GFLT, Proximity Sensor	

Note: Please see overleaf for other seal options and for a list of spare parts available.

Specifications

Handle Length	Short (150mm) or Long (200mm).
Seals	Viton B, Viton GFLT, FFKM or NBR - Nitrile, FKM ULT. (Other seals available on request).
Max Working Pressure	550 kPa.
Product Test Pressure	820 kPa.
Design Pressure	2500 kPa.
Max Surge Pressure	3400 kPa.
Operating Temperature	-15°C to +90°C (0°F to +200°F) - Viton B. -5°C to +80°C (-23°F to +176°F) - FFKM. -28°C to +90°C (-20°F to +200°F) - Viton GFLT. -40°C to +90°C (-40°F to +200°F) - FKM ULT
Design Standard	API RP 1004 8th EDITION 2003 - Bottom Loading and Vapour Recovery; AS5602-2009.
Dismantling	Removal of one U-pin enables the shaft assembly and main poppet to be withdrawn
Mounting	<ul style="list-style-type: none"> • By industry standard 100mm (4") TTMA Flange. • 8 holes Ø11mm on 149mm PCD, 168 outside diameter (Ø7/16" on 5.8" PCD, 6.6" OD). • Use spring washers when mounting coupler as per common industry practice.
Adjustment or Service	Refer to Maintenance Instructions document.
Weight	8.6kg.

Common Spare Parts

The table below lists common spare parts for the LYNX series coupler.

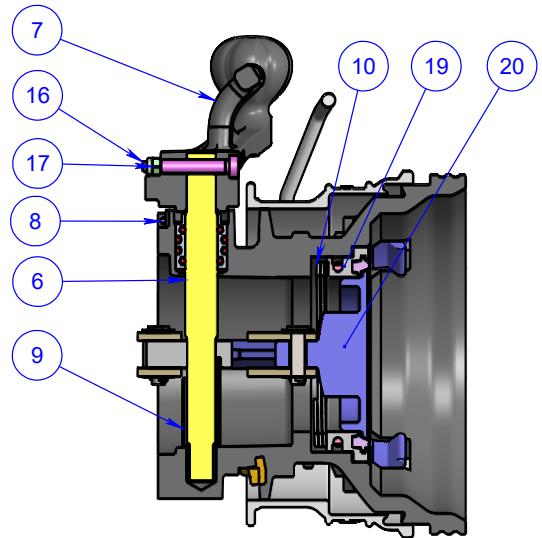
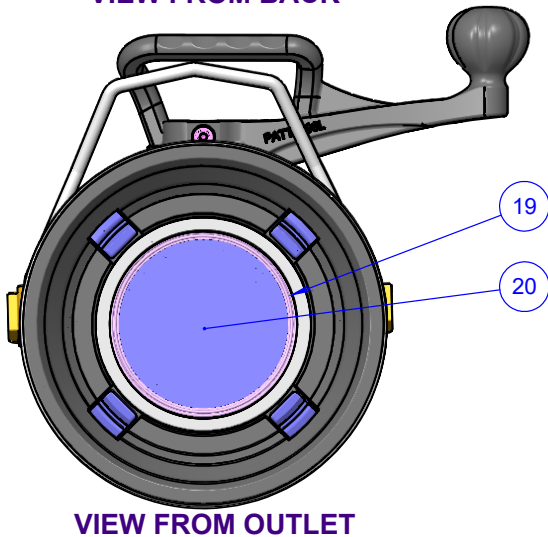
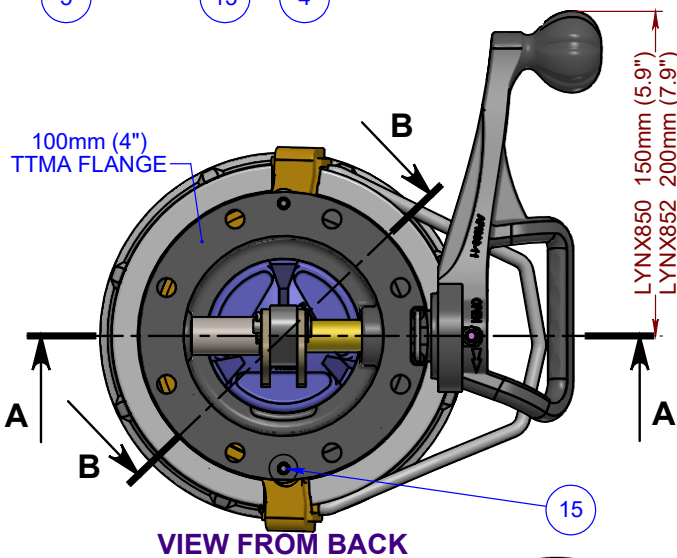
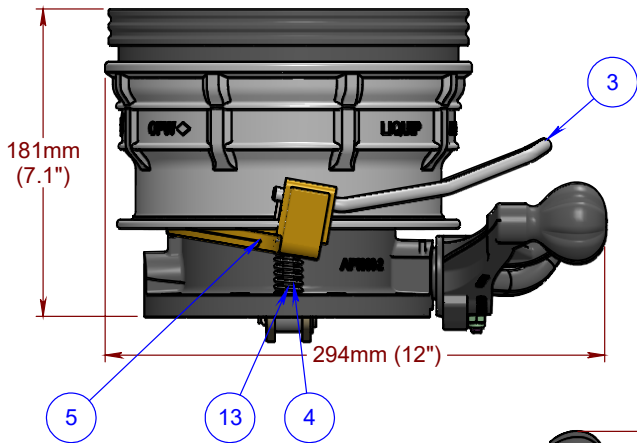
Part Number	Spare Part Description	Contents	Quantity required**
API850SK	LYNX850 All Seal Kit (Viton B)	1 x API800-1 Product Seal (Viton B) 1 x 0203 Outer O-ring (Viton B) 1 x 5805 Grease Kit 1 x API850-7A	1
API8KIT	LYNX Poppet Seal/O-ring Kit (Viton B)	1 x API800-1 Product Seal (Viton B) 1 x 0203 Outer O-ring (Viton B) 1 x 5805 Grease Kit	1
API850-7A	Bush and O-ring Assembly (Viton B)	1 x Bush and O-ring Assembly (Viton B) 1 x Nyloc Nut (4955) 1 x Shim Washer (API800-14)	1
API800-1	Product Seal (Viton B)	1 x Seal Product (Viton B)	1
0203	O-ring (Viton B)	1 x O-ring for Poppet Adaptor Ring (Viton B)	1
API850VGSK	LYNX All Seal Kit (Viton GFLT)	1 x API800-1VG Product Seal (Viton GFLT) 1 x 0203VG Outer O-ring (Viton GFLT) 1 x 5805 Grease Kit 1 x API850-7AVG	1
API8VGKIT	LYNX Poppet Seal/O-ring Kit (Viton GFLT)	1 x API800-1VG Product Seal (Viton GFLT) 1 x 0203VG Outer O-ring (Viton GFLT) 1 x 5805 Grease Kit	1
API850-7AVG	Bush and O-ring Assembly (Viton GFLT)	1 x Bush and O-ring Assembly (Viton GFLT) 1 x Nyloc Nut (4955) 1 x Shim Washer (API800-14)	1
API800-1VG	Product Seal (Viton GFLT)	1 x Seal Product (Viton GFLT)	1
0203VG	O-ring (Viton GFLT)	1 x O-ring for Poppet Adaptor Ring (Viton GFLT)	1
API850-7ANBR	Bush and O-ring Assembly (Nitrile/Buna)	1 x Bush and O-ring Assembly (Nitrile/Buna) 1 x M6 Nyloc Nut (4955) 1 x Shim Washer (API800-14)	1
API800-1NBR	Product Seal (Nitrile/Buna)	1 x Seal Product (Nitrile/Buna)	1
0203NBR	O-ring (Nitrile/Buna)	1 x O-ring - Poppet Adaptor Ring (Nitrile/Buna)	1
API800-1ULT	Product Seal (FKM ULT)	1 x Seal Product (FKM ULT)	1
0203ULT	O-ring (FKM ULT)	1 x O-ring - Poppet Adaptor Ring (FKM ULT)	1
API850CSKZ	LYNX All Seal Kit (FFKM)	1 x API800-1K Product Seal (FFKM) 1 x 0203K Outer O-ring (FFKM) 1 x API850-7AC (Bush and O-ring Assembly FFKM) 1 x 5805 Grease Kit	1
API850-7AC	Bush and O-ring Assembly (FFKM)	1 x Bush and O-ring Assembly (FFKM) 1 x M6 Nyloc Nut (4955) 1 x Shim Washer (API800-14)	1
API800-1K	Product Seal (FFKM)	1 x Seal Product (FFKM)	1
0203K	O-ring (FFKM)	1 x O-ring for Poppet Adaptor Ring (FFKM)	1
API800-23	U-pin	1 x U-pin Assembly	1
6182	Wave Spring	1 x Wave Spring	1
0762	Split Pin	1 x Split Pin	4
API725-4Z	Latch Collar Interlock Kit	4 x Latch Collar Interlock 4 x Latch Spring 4 x Latch Pin	1
0927	Spring Pin (Roll Pin) for Latches	1 x Spring Pin (Roll Pin) for Latches	4

* Product wetted components have been chosen for increased resistance to a wider range of fluids than other LYNX models. The materials used in the "C" versions are listed on the LYNX datasheet. Final product suitability is the responsibility of the end user.

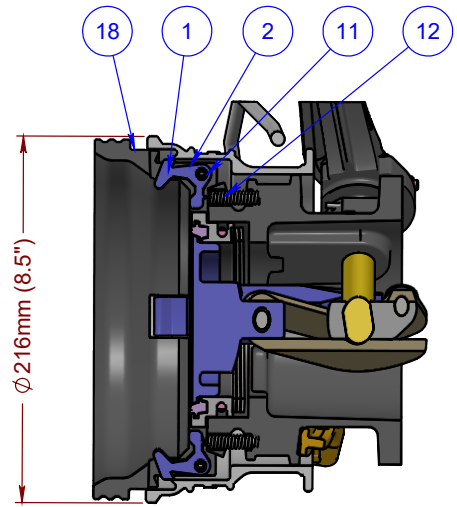
** Quantity required for applicable models.

Note: If you are unsure which seal to use contact Liquip to get a CTK100 (seal test kit).

LYNX850 SERIES COUPLERS



SECTION A-A



SECTION B-B

NOTE: LYNX852- LONG STYLE OPERATING HANDLE SHOWN

METERS - VALVES - VENTS - MANHOLES - HOSEREELS - OVERFILL PROTECTION - LOADING ARMS - ELECTRONIC DIPSTICKS



LIQUIP INTERNATIONAL PTY LTD

Web: www.liquip.com

X750016

Sheet 1 of 3
Issue: D

LYNX850 SERIES COUPLERS

ITEM NO.	PART NUMBER	DESCRIPTION	LYNX850	LYNX852	LYNX850VG	LYNX852VG	MATERIAL
1	API800-3	OUTER BODY (COLLAR)	1	1	1	1	ST STEEL
2	API725-4	LATCH COLLAR INTERLOCK	4	4	4	4	ST STEEL
3	API555-6	HANDLE - OUTER BODY RING	1	1	1	1	ST STEEL
4	API800-13	PIN - SPRING RETURN	2	2	2	2	ST STEEL
5	API800-18	LEVER OUTER BODY	1	1	1	1	ALUMINIUM
6	API850-5A	SHAFT AND API850-7A BUSH ASSY	1	1	-	-	STEEL, VITON A & ACETAL
	API850-5AVG	SHAFT AND API850-7AVG BUSH ASSY	-	-	1	1	STEEL, VITON GFLT & ACETAL
7	API800-11	LONG STYLE HANDLE OPERATING	-	1	-	1	ALUMINIUM
	API800-15	SHORT STYLE HANDLE OPERATING	1	-	1	-	ALUMINIUM
8	API800-23	PIN U	1	1	1	1	SPRING STEEL
9	API800-28	SPACER SLEEVE	1	1	1	1	STAINLESS STEEL
10	6182	SPRING SPIRAWAVE	1	1	1	1	SPRING STEEL
11	0927	SPRING (SELLOK) PIN	4	4	4	4	Z/P STEEL
12	6171	SPRING COMPRESSION	4	4	4	4	ST STEEL
13	4497	SPRING - RETURN	2	2	2	2	SPRING STEEL
14	0762	SPLIT COTTER PIN	2	2	2	2	ST STEEL
15	3227	GRUBSCREW MET	2	2	2	2	BLK STEEL
16	55091	CAPSCREW SHOULDER METRIC	1	1	1	1	STEEL PHOSPHATED
17	4399	NUT NYLOC	1	1	1	1	Z/P STEEL
18	API800-2	BODY API800 SERIES COUPLER	1	1	1	1	ALUMINIUM
19	API800-4-ASSY	RING ADAPTER ASSEMBLY	1	1	-	-	ALUMINIUM, VITON
	API800-4VG-ASSY	RING ADAPTER ASSEMBLY	-	-	1	1	ALUMINIUM, VITON GFLT
20	API800-9-ASSY	POPPET ASSEMBLY	1	1	1	1	STEEL PHOSPHATED, ALUMINIUM, ST STEEL

METERS - VALVES - VENTS - MANHOLES - HOSEREELS - OVERFILL PROTECTION - LOADING ARMS - ELECTRONIC DIPSTICKS



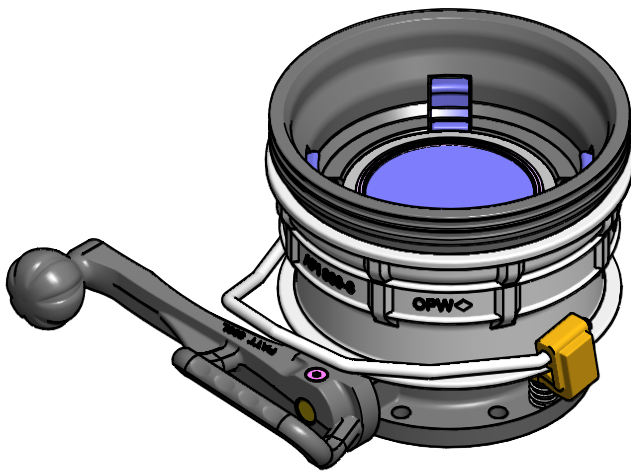
LIQUIP INTERNATIONAL PTY LTD

Web: www.liquip.com

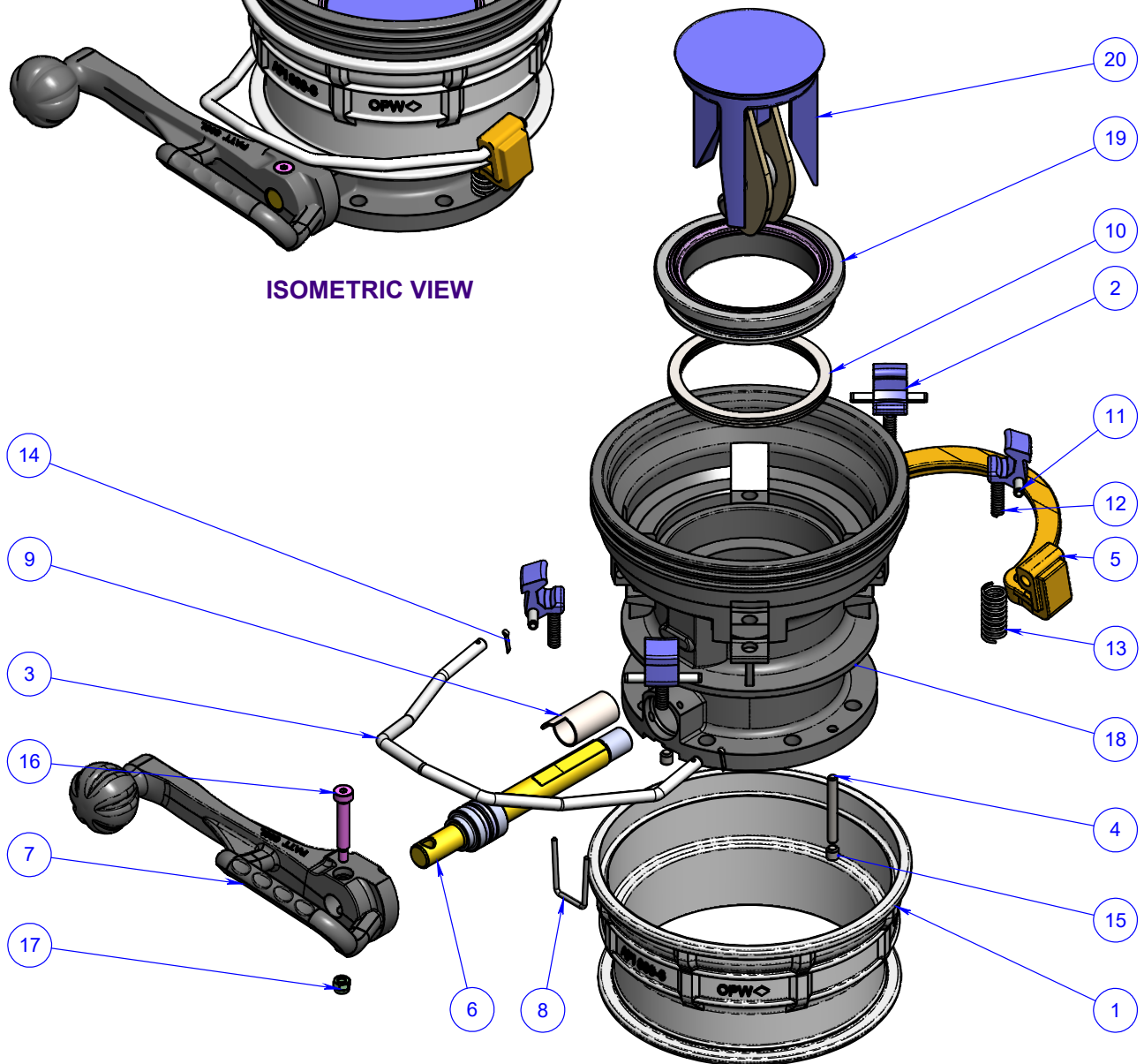
X750016

Sheet 2 of 3
Issue: D

LYNX850 SERIES COUPLERS



ISOMETRIC VIEW



NOTE: LYNX852- LONG STYLE OPERATING HANDLE SHOWN

ISOMETRIC EXPLODED VIEW

METERS - VALVES - VENTS - MANHOLES - HOSEREELS - OVERFILL PROTECTION - LOADING ARMS - ELECTRONIC DIPSTICKS



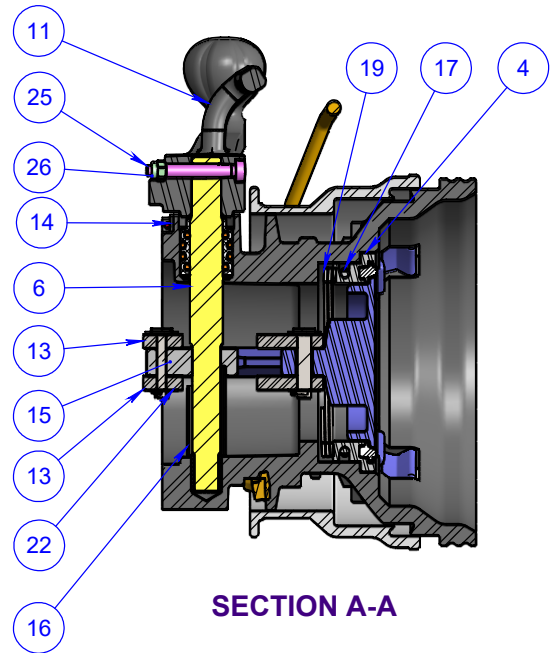
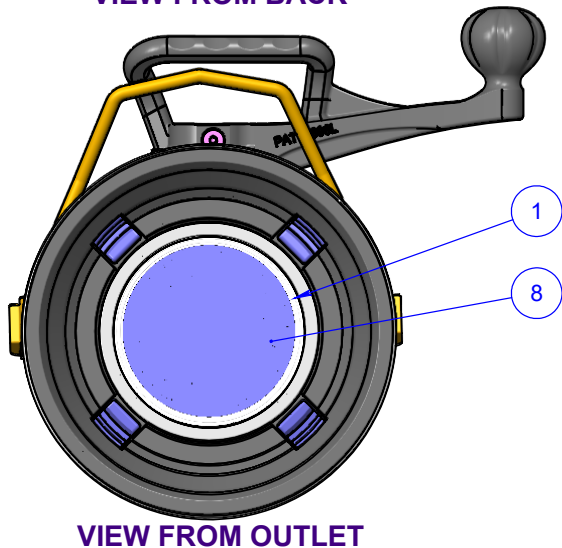
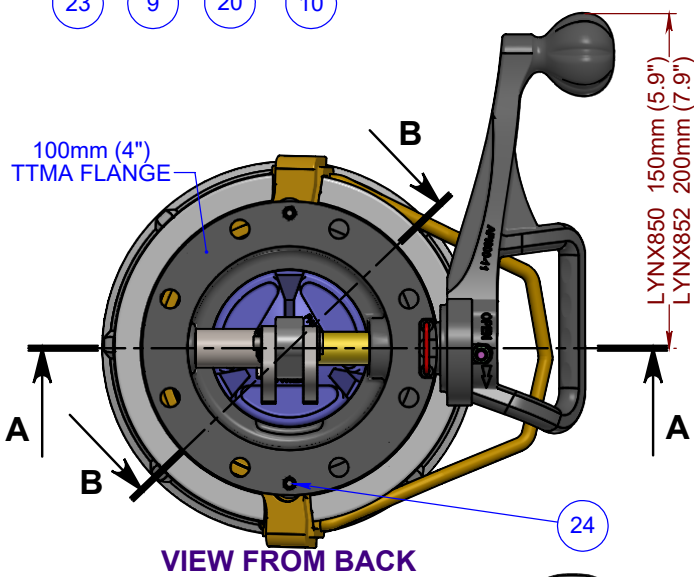
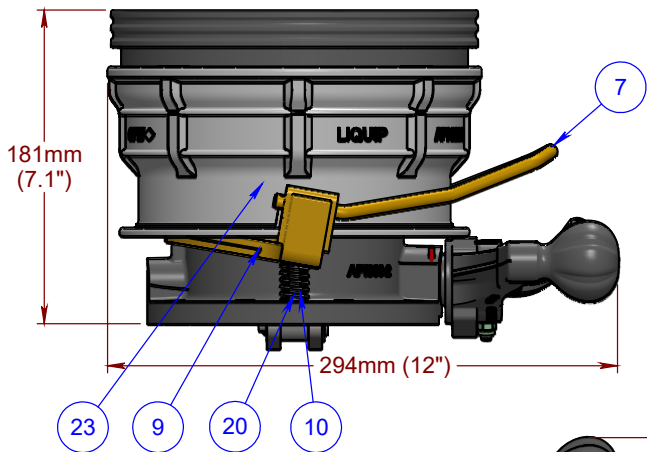
LIQUIP INTERNATIONAL PTY LTD

Web: www.liquip.com

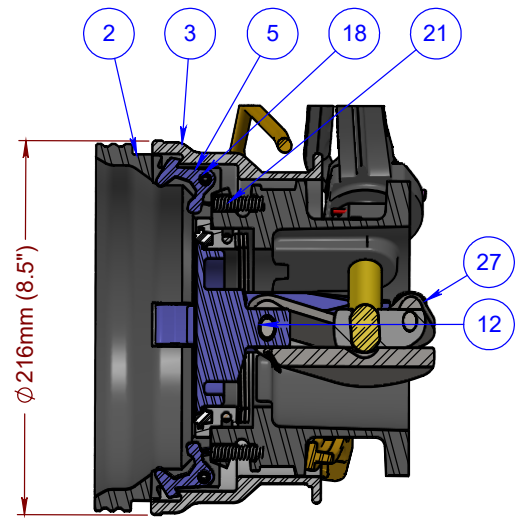
X750016

Sheet 3 of 3
Issue: D

LYNX SERIES CHEMICAL COUPLERS



SECTION A-A



SECTION B-B

NOTE: LYNX852- LONG STYLE OPERATING HANDLE SHOWN

METERS - VALVES - VENTS - MANHOLES - HOSEREELS - OVERFILL PROTECTION - LOADING ARMS - ELECTRONIC DIPSTICKS



LIQUIP INTERNATIONAL PTY LTD

Web: www.liquip.com

X750116

Sheet 1 of 3
Issue: C

LYNX SERIES CHEMICAL COUPLERS

ITEM NO.	PART NUMBER	DESCRIPTION	LYNX850C	LYNX852C	MATERIAL
1	API800-1K	SEAL PRODUCT	1	1	FFKM
2	API800-2	BODY API800 SERIES COUPLER	1	1	ALUMINIUM
3	API800-3	OUTER BODY (COLLAR)	1	1	ST STEEL
4	API800-4	POPPET ADAPTOR RING	1	1	ALUMINIUM
5	API725-4	LATCH COLLAR INTERLOCK	4	4	ST STEEL
6	API850-5AC	SHAFT AND API850-7AC BUSH ASSY	1	1	SS, FFKM & PTFE
7	API555-6	HANDLE - OUTER BODY RING	1	1	ST STEEL
8	API800-9	POPPET 4"	1	1	ALUMINIUM
9	API800-18	LEVER OUTER BODY	1	1	ALUMINIUM
10	API800-13	PIN - SPRING RETURN	2	2	ST STEEL
11	API800-11	LONG STYLE HANDLE OPERATING	-	1	ALUMINIUM
	API800-15	SHORT STYLE HANDLE OPERATING	1	-	ALUMINIUM
12	API800-19	PIN CLEVIS (FOR API COUPLER-CHEMICAL)	2	2	STAINLESS STEEL
13	API800-20	CAMPLATE FOR API CHEMICAL COUPLERS	2	2	304
14	API800-23	PIN U	1	1	SPRING STEEL
15	API800-27	CAM ECCENTRIC WITH SLEEVE CUTOUTS	1	1	ST STEEL
16	API800-28	SPACER SLEEVE	1	1	STAINLESS STEEL
17	0203K	O-RING	1	1	FFKM
18	0927	SPRING (SELLOK) PIN	4	4	Z/P STEEL
19	6182	SPRING SPIRAWAVE	1	1	SPRING STEEL
20	4497	SPRING - RETURN	2	2	SPRING STEEL
21	6171	SPRING COMPRESSION	4	4	ST STEEL
22	5351	WASHER FLAT THIN	2	2	ST STEEL
23	0762	SPLIT COTTER PIN	4	4	ST STEEL
24	3227	GRUBSCREW MET	2	2	BLK STEEL
25	55091	CAPSCREW SHOULDER METRIC	1	1	STEEL PHOSPHATED
26	4399	NUT NYLOC	1	1	Z/P STEEL
27	0101	WASHER FLAT	2	2	Z/P STEEL

METERS - VALVES - VENTS - MANHOLES - HOSEREELS - OVERFILL PROTECTION - LOADING ARMS - ELECTRONIC DIPSTICKS



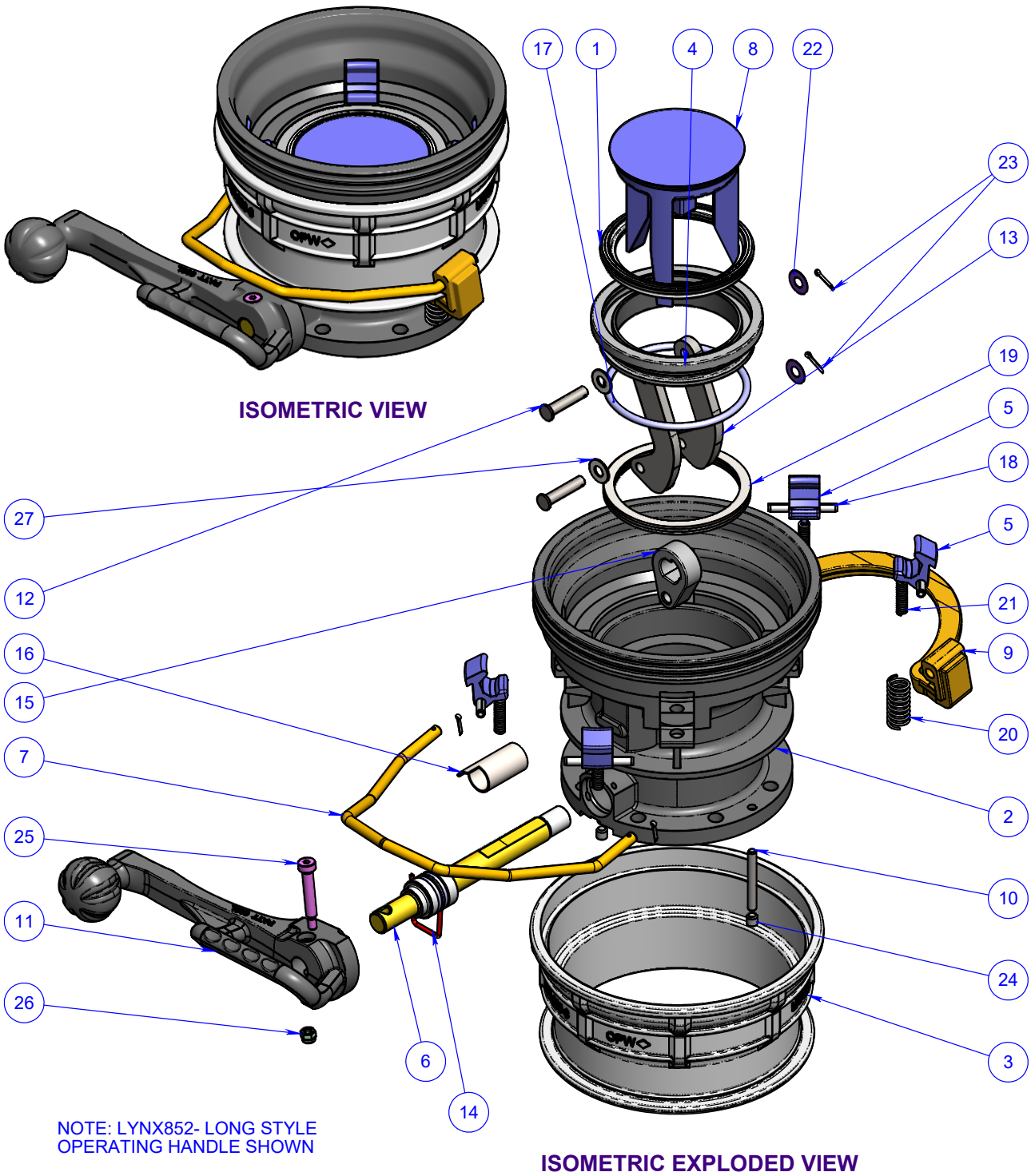
LIQUIP INTERNATIONAL PTY LTD

Web: www.liquip.com

X750116

Sheet 2 of 3
Issue: C

LYNX SERIES CHEMICAL COUPLERS



METERS - VALVES - VENTS - MANHOLES - HOSEREELS - OVERFILL PROTECTION - LOADING ARMS - ELECTRONIC DIPSTICKS



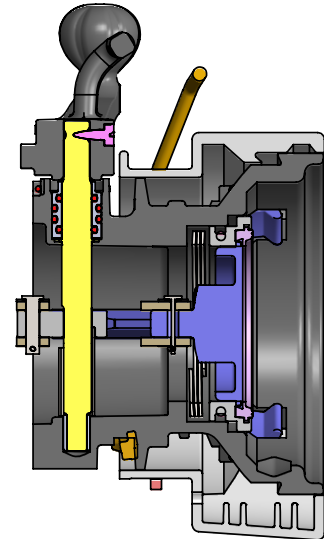
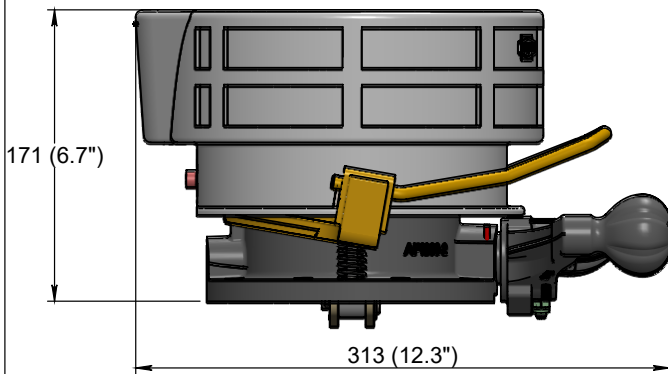
LIQUIP INTERNATIONAL PTY LTD

Web: www.liquip.com

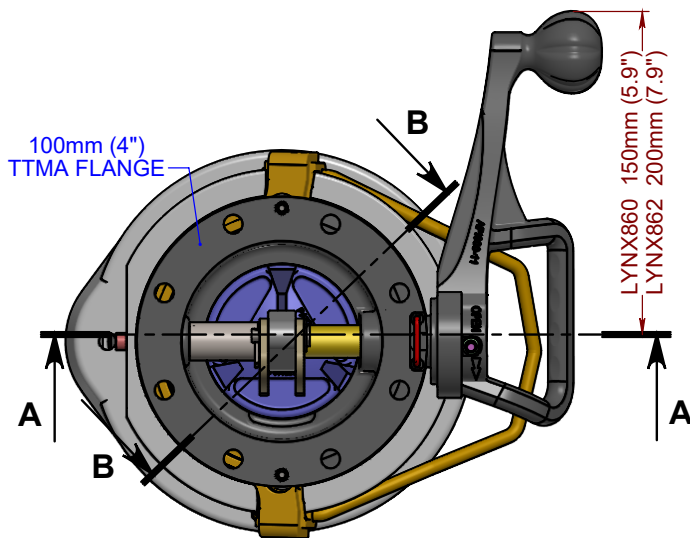
X750116

Sheet 3 of 3
Issue: C

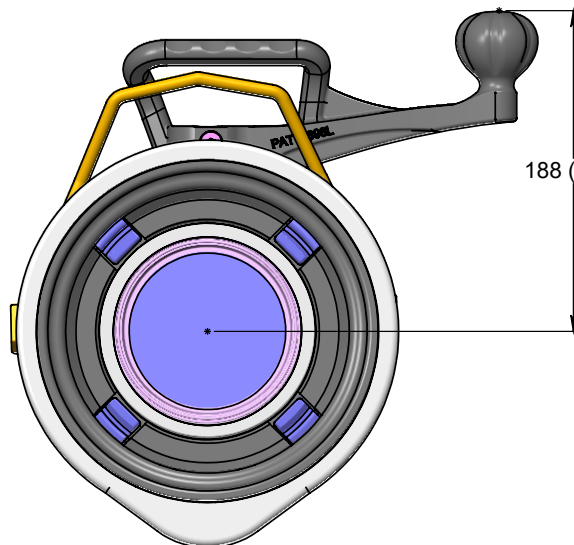
LYNX862 SERIES COUPLERS



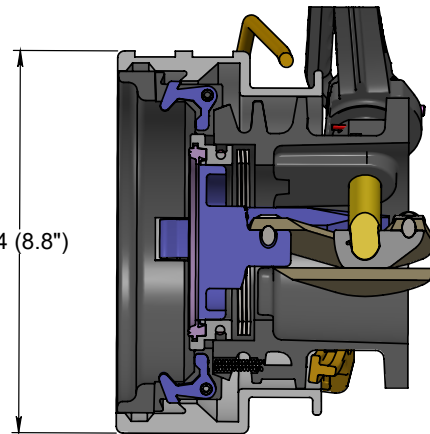
SECTION A-A



VIEW FROM BACK



VIEW FROM OUTLET



SECTION B-B

NOTE: LYNX862 - LONG STYLE OPERATING HANDLE SHOWN

METERS - VALVES - VENTS - MANHOLES - HOSEREELS - OVERFILL PROTECTION - LOADING ARMS - ELECTRONIC DIPSTICKS



LIQUIP INTERNATIONAL PTY LTD

Web: www.liquip.com

X750216

Sheet 1 of 3
Issue: D

LYNX862 SERIES COUPLERS

ITEM	PART NUMBER	DESCRIPTION	LYNX860	LYNX862	LYNX860VG	LYNX862VG	MATERIAL
1	API820-2	BODY API800 SERIES COUPLER	1	1	1	1	ALUMINIUM
2	API725-3	COLLAR FOR API COUPLER	1	1	1	1	ST STEEL
3	API725-4	LATCH COLLAR INTERLOCK	4	4	4	4	ST STEEL
4	API555-6	HANDLE - OUTER BODY RING	1	1	1	1	ST STEEL
5	API800-13	PIN - SPRING RETURN	2	2	2	2	ST STEEL
6	API800-11	LONG STYLE HANDLE OPERATING	-	1	-	1	ALUMINIUM
	API800-15	SHORT STYLE HANDLE OPERATING	1	-	1	-	ALUMINIUM
7	API850-5A	SHAFT AND API850-7A BUSH ASSY	1	1	-	-	STEEL, VITON A & ACETAL
	API850-5AVG	SHAFT AND API850-7AVG BUSH ASSY	-	-	1	1	STEEL, VITON GFLT & ACETAL
8	API800-18	LEVER OUTER BODY	1	1	1	1	ALUMINIUM
9	API800-23	PIN U	1	1	1	1	SPRING STEEL
10	API800-28	SPACER SLEEVE	1	1	1	1	ST STEEL
11	55091	CAPSCREW SHOULDER METRIC	1	1	1	1	STEEL PHOSPHATED
12	0927	SPRING (SELLOK) PIN	4	4	4	4	Z/P STEEL
13	4497	SPRING - RETURN	2	2	2	2	SPRING STEEL
14	6171	SPRING COMPRESSION	4	4	4	4	ST STEEL
15	6182	SPRING SPIRAWAVE	1	1	1	1	SPRING STEEL
16	0762	SPLIT COTTER PIN	2	2	2	2	ST STEEL
17	3227	GRUBSCREW MET	2	2	2	2	BLK STEEL
18	6737	CAPSCREW METRIC	1	1	1	1	ST STEEL
19	4399	NUT NYLOC	1	1	1	1	Z/P STEEL
20	API800-4-ASSY	RING ADAPTER ASSEMBLY	1	1	-	-	ALUMINIUM, VITON
	API800-4VG-ASSY	RING ADAPTER ASSEMBLY	-	-	1	1	ALUMINIUM, VITON GFLT
21	API800-9-ASSY	POPPET ASSEMBLY	1	1	1	1	STEEL PHOSPHATED, ALUMINIUM, ST STEEL

METERS - VALVES - VENTS - MANHOLES - HOSEREELS - OVERFILL PROTECTION - LOADING ARMS - ELECTRONIC DIPSTICKS



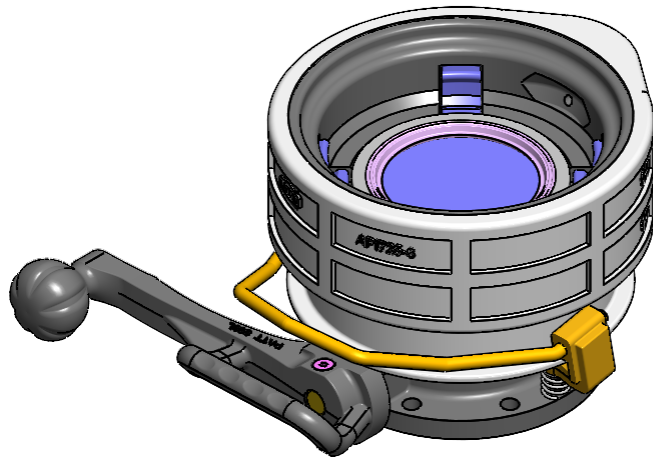
LIQUIP INTERNATIONAL PTY LTD

Web: www.liquip.com

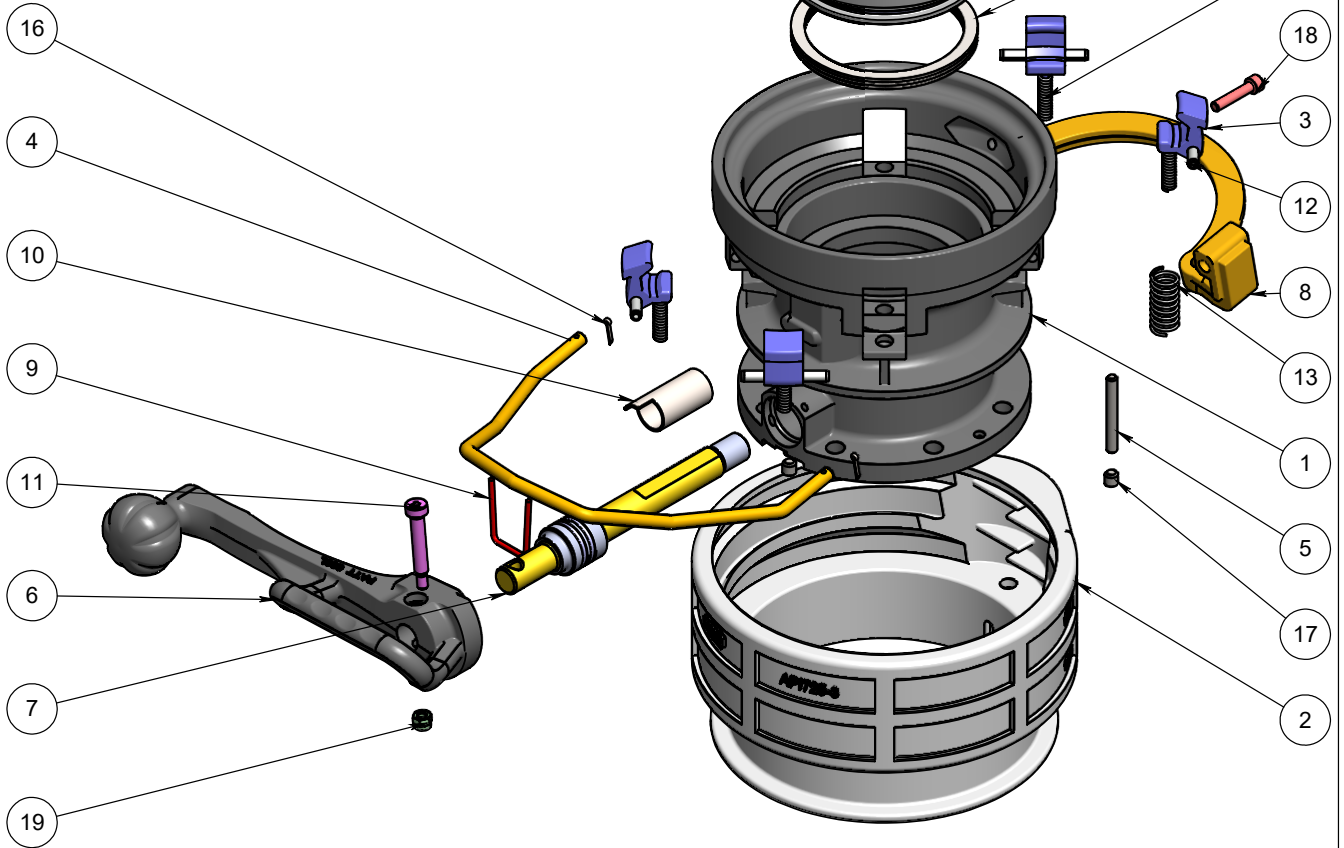
X750216

Sheet 2 of 3
Issue: D

LYNX862 SERIES COUPLERS



ISOMETRIC VIEW



NOTE: LYNX862 - LONG STYLE OPERATING HANDLE SHOWN

ISOMETRIC EXPLODED VIEW

METERS - VALVES - VENTS - MANHOLES - HOSEREELS - OVERFILL PROTECTION - LOADING ARMS - ELECTRONIC DIPSTICKS



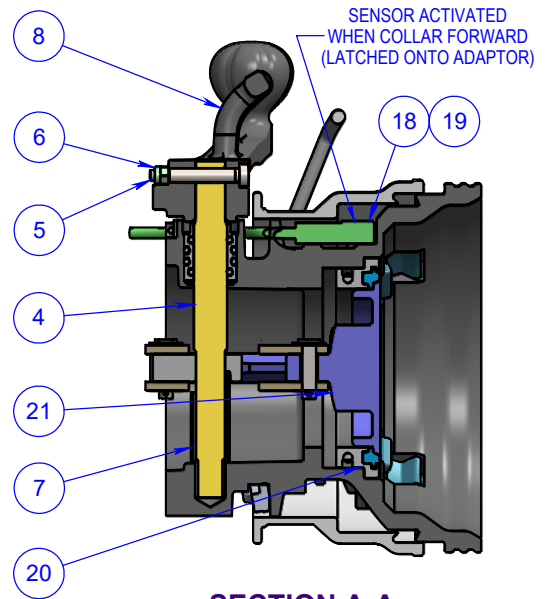
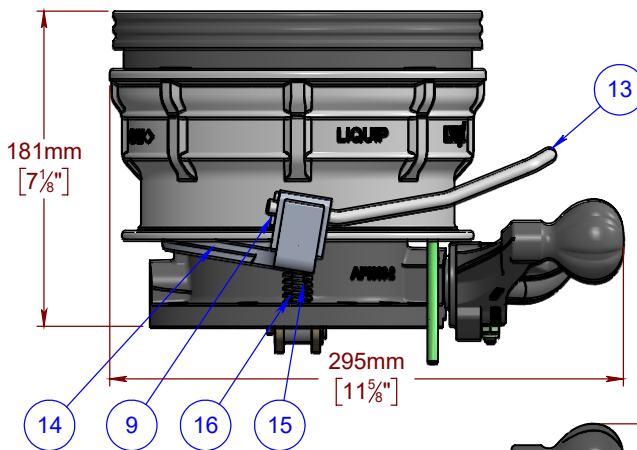
LIQUIP INTERNATIONAL PTY LTD

Web: www.liquip.com

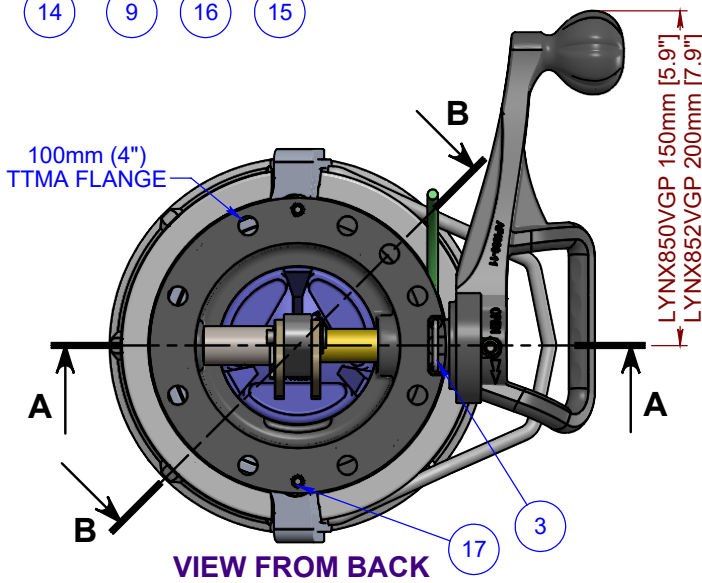
X750216

Sheet 3 of 3
Issue: D

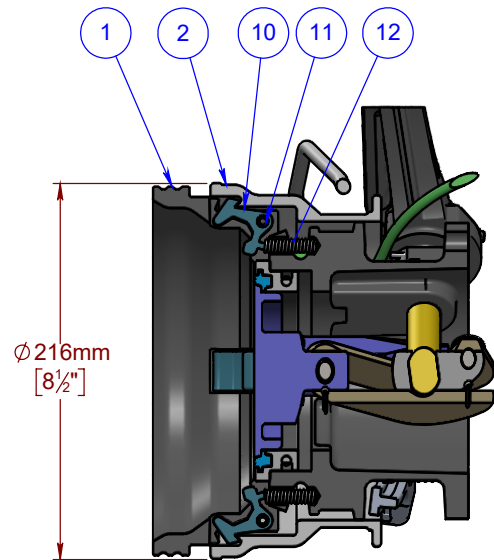
LYNX85xVGP SERIES COUPLERS



SECTION A-A

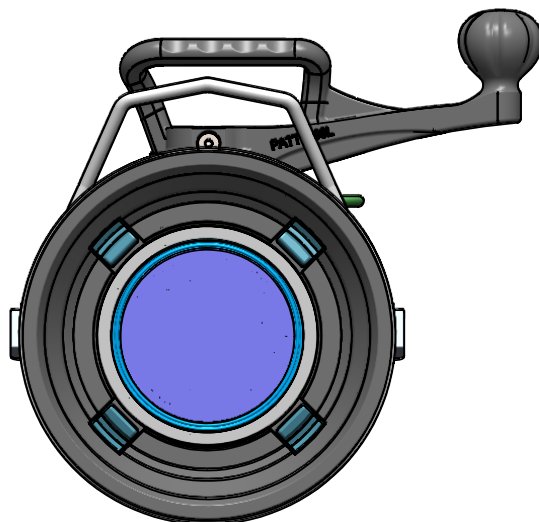


VIEW FROM BACK



SECTION B-B

NOTE: LYNX852VGP LONG STYLE OPERATING HANDLE SHOWN



VIEW FROM OUTLET

METERS - VALVES - VENTS - MANHOLES - HOSEREELS - OVERFILL PROTECTION - LOADING ARMS - ELECTRONIC DIPSTICKS



LIQUIP INTERNATIONAL PTY LTD

Web: www.liquip.com

X750918

Sheet 1 of 3
Issue: C

LYNX85xVGP SERIES COUPLERS

ITEM NO.	PART NUMBER	DESCRIPTION	LYNX850VGP	LYNX852VGP	MATERIAL
1	API800-2P	BODY API800 SERIES COUPLER	1	1	USE API800-2 BODY
2	API800-3	OUTER BODY (COLLAR)	1	1	ST STEEL
3	API800-23	PIN U	1	1	SPRING STEEL
4	API850-5AVG	SHAFT AND API850-7AVG BUSH ASSY	1	1	STEEL, VITON GFLT & ACETAL
5	55091	CAPSCREW SHOULDER METRIC	1	1	STEEL PHOSPHATED
6	4399	NUT NYLOC	1	1	Z/P STEEL
7	API800-28	SPACER SLEEVE	1	1	STAINLESS STEEL
8	API800-15	SHORT STYLE HANDLE OPERATING	1	-	ALUMINIUM
	API800-11	LONG STYLE HANDLE OPERATING	-	1	ALUMINIUM
9	0762	SPLIT COTTER PIN	2	2	ST STEEL
10	API725-4	LATCH COLLAR INTERLOCK	4	4	ST STEEL
11	0927	SPRING (SELLOK) PIN	4	4	Z/P STEEL
12	6171	SPRING COMPRESSION	4	4	ST STEEL
13	API555-6	HANDLE - OUTER BODY RING	1	1	ST STEEL
14	API800-18	LEVER OUTER BODY	1	1	ALUMINIUM
15	API800-13	PIN - SPRING RETURN	2	2	ST STEEL
16	4497	SPRING - RETURN	2	2	SPRING STEEL
17	3227	GRUBSCREW MET	2	2	BLK STEEL
18	API850-6	PROXIMITY SENSOR	1	1	ELECTRONIC
19	6516	SCREW MET C/SUNK PH	2	2	ST STEEL
20	API800-4VG-ASSY	RING ADAPTER ASSEMBLY	1	1	ALUMINIUM, VITON GFLT
21	API800-9-ASSY	POPPET ASSEMBLY	1	1	STEEL PHOSPHATED, ALUMINIUM, ST STEEL

METERS - VALVES - VENTS - MANHOLES - HOSEREELS - OVERFILL PROTECTION - LOADING ARMS - ELECTRONIC DIPSTICKS



LIQUIP INTERNATIONAL PTY LTD

Web: www.liquip.com

X750918

Sheet 2 of 3
Issue: C

LYNX85xVGP SERIES COUPLERS



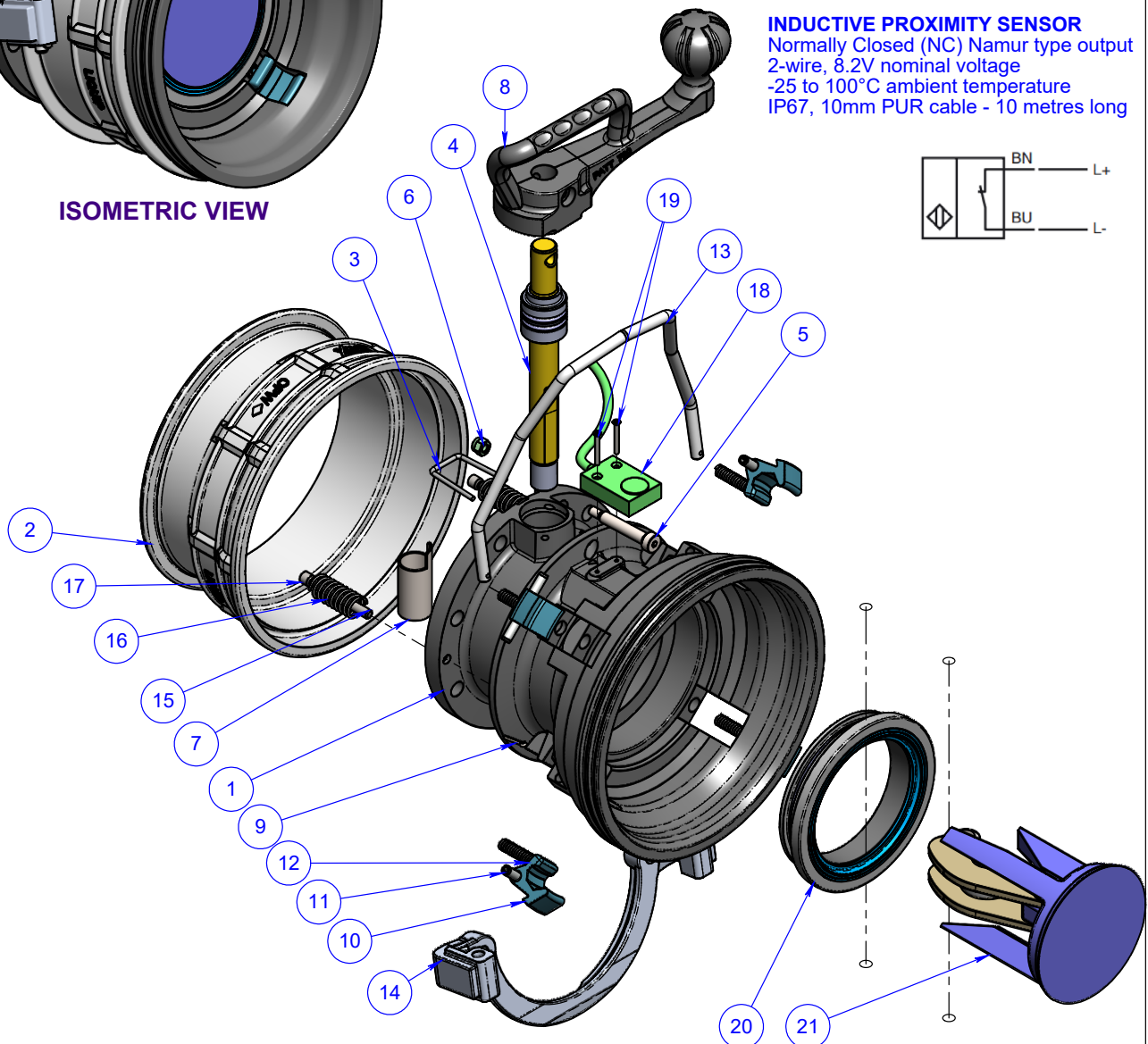
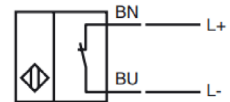
ISOMETRIC VIEW

Equipment protection level Gb

Type of protection	intrinsic safety	
CE marking	CE 0102	
Certificates		
Appropriate type	NJ6-F-N..	
ATEX certificate	PTB 00 ATEX 2032 X	
ATEX marking	II 2G Ex ia IIC T6...T1 Gb	
Standards	EN 60079-0:2012+A11:2013 , EN 60079-11:2012	
IECEX certificate	IECEX PTB 11.0021X	
IECEX marking	Ex ib IIC T6	
Standards	IEC 60079-0:2004 , IEC 60079-11:2006	
Effective internal inductivity	C_1	≤ 70 nF A cable length of 10 m is considered.
Effective internal inductance	L_1	≤ 100 μ H A cable length of 10 m is considered.

INDUCTIVE PROXIMITY SENSOR

Normally Closed (NC) Namur type output
2-wire, 8.2V nominal voltage
-25 to 100°C ambient temperature
IP67, 10mm PUR cable - 10 metres long



NOTE: LYNX850VGP SHORT STYLE
OPERATING HANDLE SHOWN

ISOMETRIC EXPLODED VIEW

METERS - VALVES - VENTS - MANHOLES - HOSEREELS - OVERFILL PROTECTION - LOADING ARMS - ELECTRONIC DIPSTICKS



LIQUIP INTERNATIONAL PTY LTD

Web: www.liquip.com

X750918

Sheet 3 of 3
Issue: C