

Inline Strainer and Sightglass Kits

The ILS2 series strainer and sightglass kits are a simple and precautionary measure to prevent expensive pump damage.

This coarse pre-filter prevents large contaminants or debris from passing through pipe work downstream.

The ILS2 series also offers users the additional benefit of product visibility through its sightglass housing to ensure if a compartment/tanker has product present or if it has been drained.

This series of strainer and sightglass kit has been developed to suit TTMA flanges and piping.



ILS2.5Z shown

Key Features

- Cast Acrylic, tempered.
- Mounting bolts of adequate length tightened to a torque of 20Nm. Tighten up evenly in a criss-cross manner.

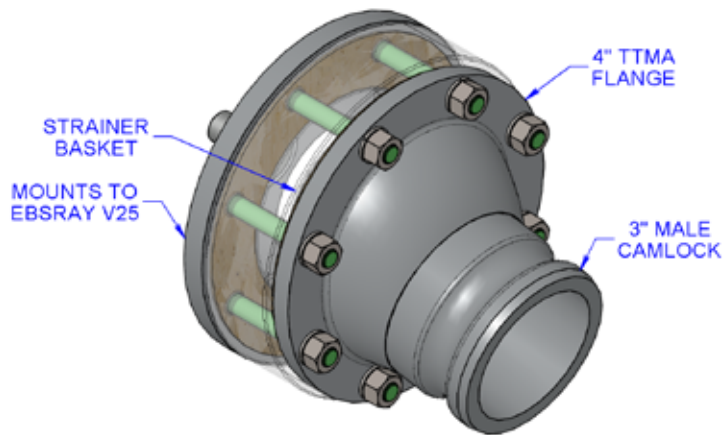
Ordering Information

- ILS2.5Z - SIGHTGLASS STRAINER AND ADAPTOR KIT 4" TTMA 40mm THICK V25 SUCTION c/w BF4-V25-A, MC3-V4A, strainer, gaskets and fasteners.
- ILS2.5VICZ - SIGHTGLASS KIT 4" TTMA 40mm THICK V25 SUCTION c/w strainer, gaskets and BSW fasteners.
- ILS2.5-SGZ - SIGHTGLASS ONLY KIT 4" TTMA 40mm THICK to suit strainer c/w 2 x gaskets only.
- ILS2V20Z - SIGHTGLASS KIT 3" TTMA 25mm THICK V20 SUCTION c/w ILS2V20-1, strainer, gasket and fasteners.

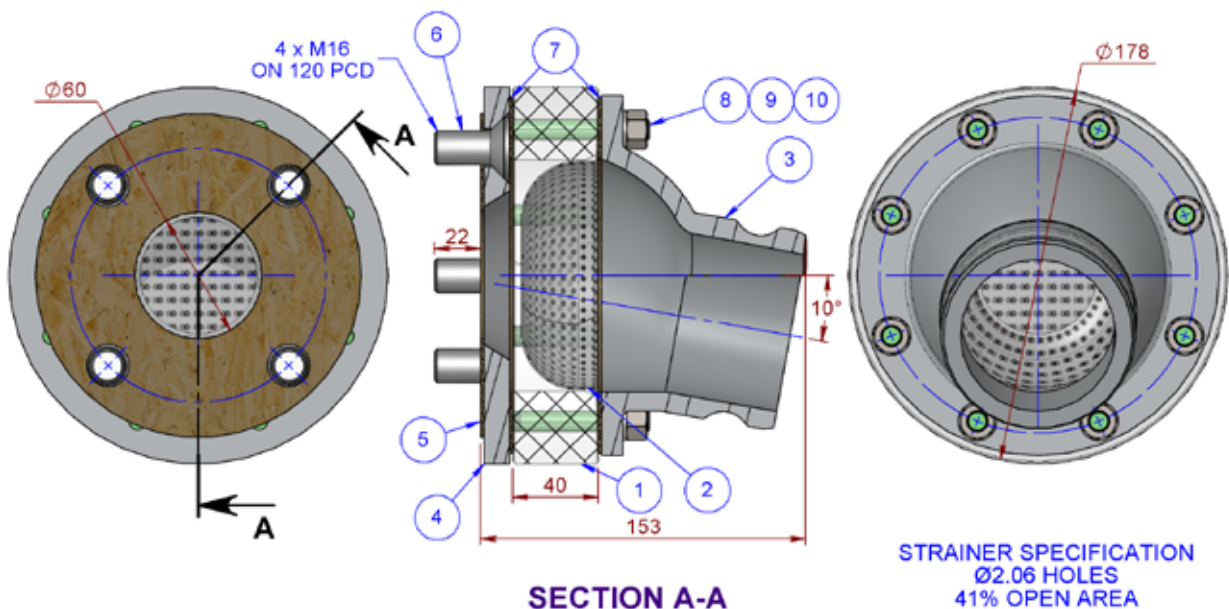
Specifications

Adjustment or Service	Periodically (recommended every 6 months), inspect sightglass and strainer.	
Materials of Construction	Sight glass	Acrylic
	Mounting Flange	Aluminium
	Strainer Basket	Z/P Steel
	Gaskets	NBR Cork
Mounting	Mounts directly to TTMA flanges or associated pumps.	
Dismantle	Remove mounting bolts for servicing.	
Weight	1.2kg	
Associated Equipment	BF3	75mm TTMA aluminium flange (also in mild & stainless steel)
	BF4	100mm TTMA aluminium flange (also in mild & stainless steel)
	0656	75mm TTMA NBR Cork gasket
	0656V	75mm TTMA Viton gasket
	0657	100mm TTMA NBR Cork gasket
	0657V	100mm TTMA Viton gasket
Technical Data	Do not use with solvents – refer to sightglass for flanges data sheet for compatibility Maximum working pressure – 1,000kPa Maximum working temperature 70°C	

ILS2.5Z 65mm SIGHTGLASS KIT



ILS2.5Z SHOWN



STRAINER SPECIFICATION
 Ø2.06 HOLES
 41% OPEN AREA

10	0109	WASHER SPRING	8	-	Z/P STEEL
9	0130	NUT IMPERIAL	8	-	Z/P STEEL
8	4846	STUDBOLT IMPERIAL	8	-	Z/P STEEL
7	0657	GASKET TTMA 100mm (4")	2	2	NBR CORK
6	3231	CAPSCREW C/SUNK METRIC	4	-	Z/P STEEL
5	1117	GASKET	1	-	NBR CORK
4	BF4-V25-A	MOUNTING FLANGE	1	-	ALUMINIUM
3	MC3-V4A	3" CAMLOCK TO 4" TTMA FLANGE	1	-	ALUMINIUM
2	ILS2.5-1	STRAINER BASKET	1	-	Z/P STEEL
1	ILS2.5-SG	SIGHTGLASS FLANGE 4" TTMA	1	1	CAST ACRYLIC
ITEM	PART No	DESCRIPTION	ILS2.5Z	ILS2.5-SGZ	MATERIAL

METERS - VALVES - VENTS - MANHOLES - HOSEREELS - OVERFILL PROTECTION - LOADING ARMS - ELECTRONIC DIPSTICKS

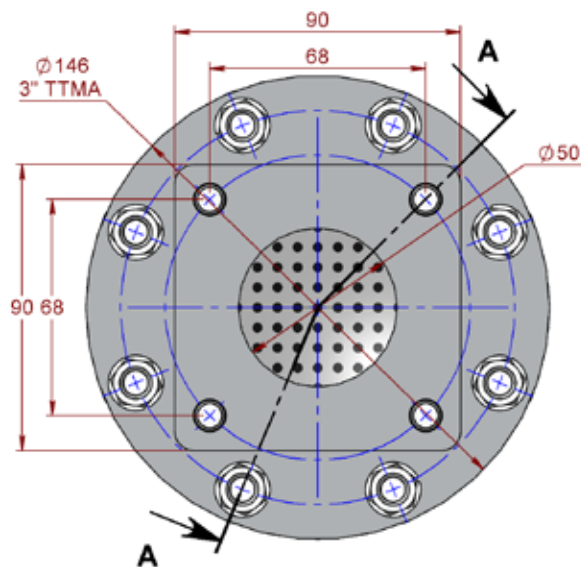
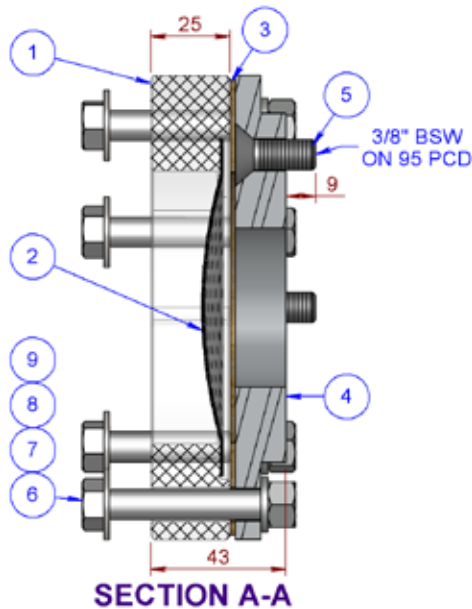
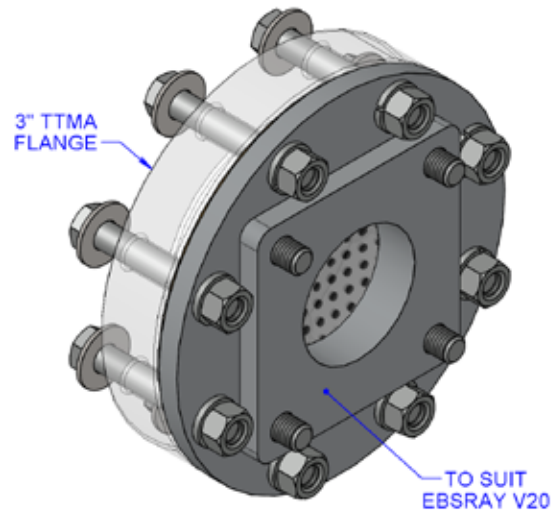
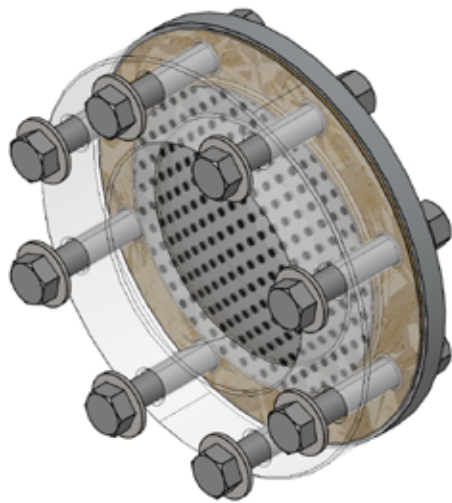


LIQUIP INTERNATIONAL PTY LTD
 13 HUME ROAD SMITHFIELD SYDNEY N.S.W. AUSTRALIA 2164
 Phone: +61 2 9725-9000 Web: www.liquip.com

X600118

Sheet 1 of 1
 Issue: A

ILS2V20Z 50mm SIGHTGLASS KIT



SECTION A-A

STRAINER SPECIFICATION
Ø2.06 HOLES, 41% OPEN AREA

9	0109	WASHER SPRING	8	Z/P STEEL
8	0130	NUT HEX	8	Z/P STEEL
7	0102	WASHER FLAT	8	Z/P STEEL
6	0026	BOLT HEX	8	Z/P STEEL
5	4836	CAPSCREW IMPERIAL	4	Z/P STEEL
4	ILS2V20-1	ADAPTOR FLANGE	1	ALUMINIUM
3	0656	GASKET TTMA 75mm (3")	1	NBR CORK
2	ILS2V20-2	STRAINER	1	Z/P STEEL
1	ILS2V20-3	SIGHTGLASS FLANGE	1	ACRYLIC
ITEM	PART No	DESCRIPTION	QTY	MATERIAL

METERS - VALVES - VENTS - MANHOLES - HOSEREELS - OVERFILL PROTECTION - LOADING ARMS - ELECTRONIC DIPSTICKS

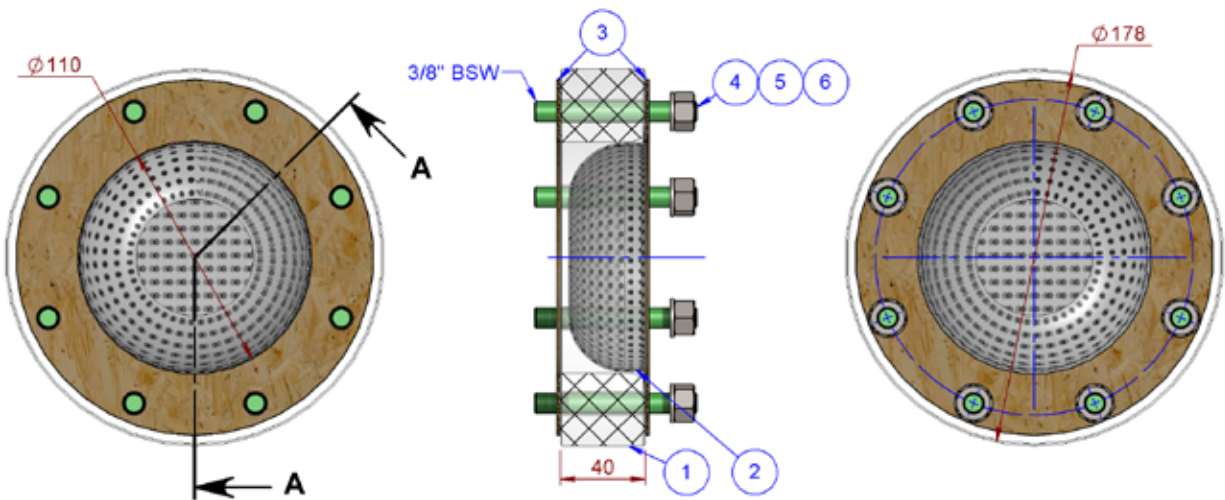
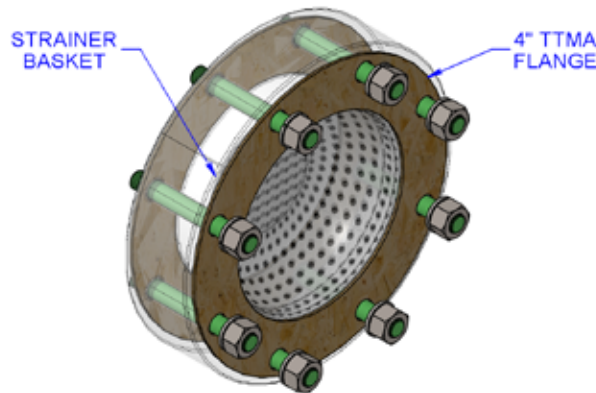
LIQUIP
PART OF OPW & DOWLER company

LIQUIP INTERNATIONAL PTY LTD
13 HUME ROAD SMITHFIELD SYDNEY N.S.W. AUSTRALIA 2164
Phone: +61 2 9725-9000 Web: www.liquip.com

X600018

Sheet 1 of 1
Issue: A

ILS2.5VICZ 65mm SIGHTGLASS KIT



SECTION A-A

6	0109	WASHER SPRING	8	Z/P STEEL
5	0130	NUT IMPERIAL	8	Z/P STEEL
4	4846	STUDBOLT IMPERIAL	8	Z/P STEEL
3	0657	GASKET TTMA 100mm (4")	2	NBR CORK
2	ILS2.5-1	STRAINER BASKET	1	Z/P STEEL
1	ILS2.5-SG	SIGHTGLASS FLANGE 4" TTMA	1	CAST ACRYLIC
ITEM	PART No	DESCRIPTION	QTY	MATERIAL

STRAINER SPECIFICATION
 Ø2.06 HOLES
 41% OPEN AREA

METERS - VALVES - VENTS - MANHOLES - HOSEREELS - OVERFILL PROTECTION - LOADING ARMS - ELECTRONIC DIPSTICKS

LIQUIP
 PART OF OPW a dougtr company

LIQUIP INTERNATIONAL PTY LTD
 13 HUME ROAD SMITHFIELD SYDNEY N.S.W. AUSTRALIA 2164
 Phone: +61 2 9725-9000 Web: www.liquip.com

X600019

Sheet 1 of 1
 Issue: A