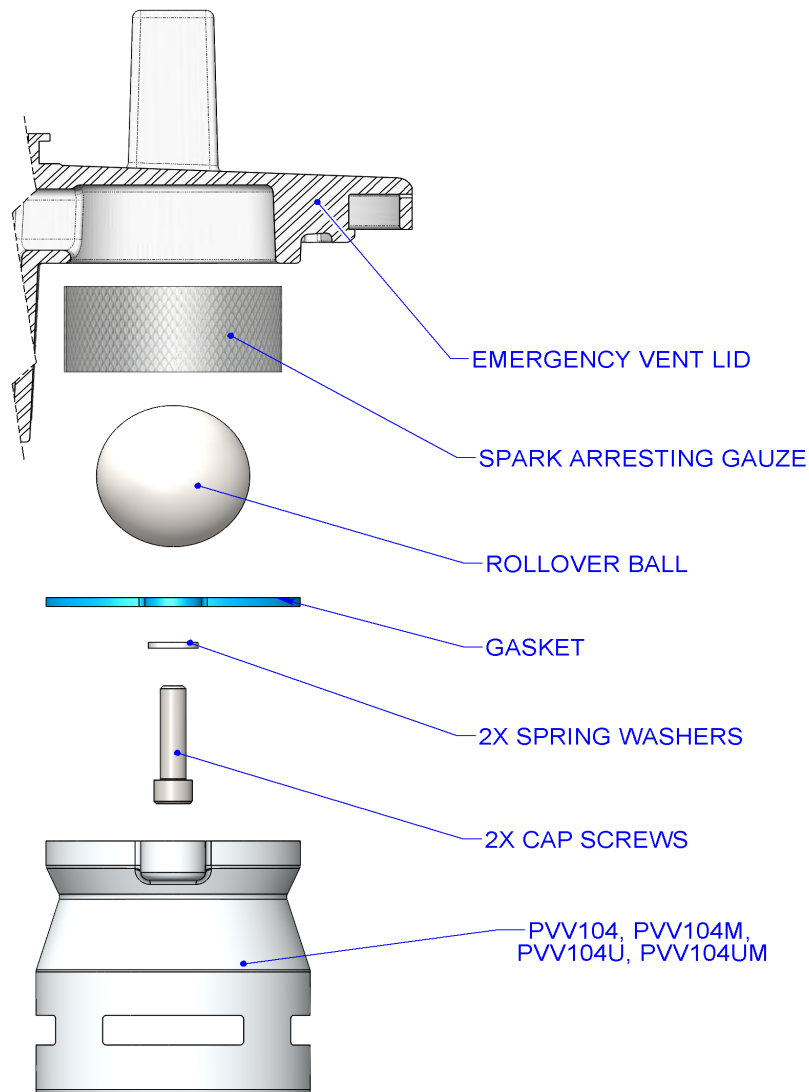


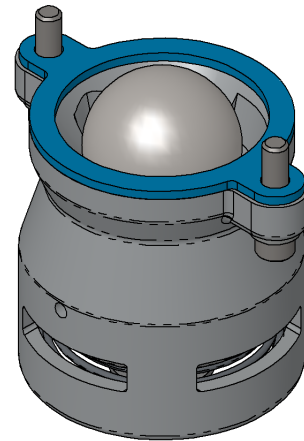
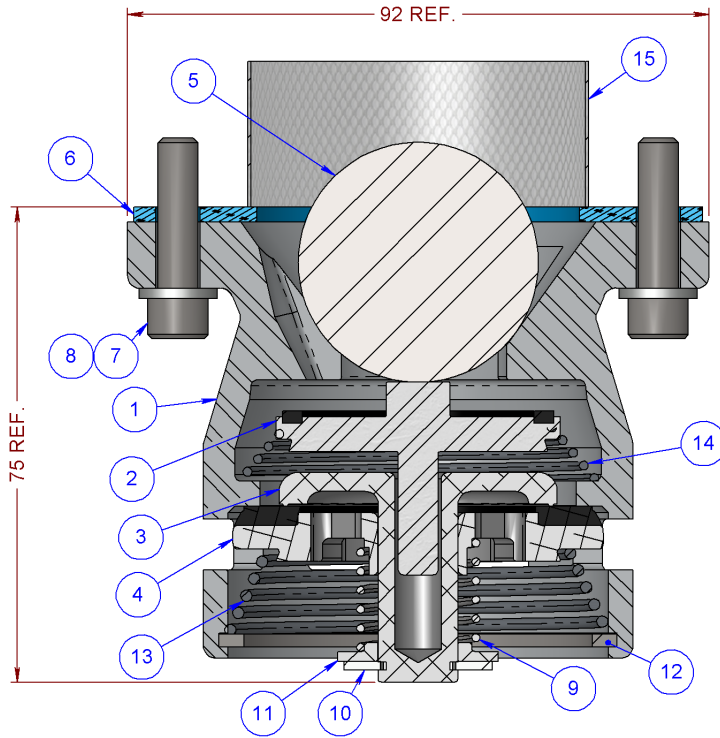
PVV104 SERIES PRESSURE/VACUUM VENT MOUNTING INSTRUCTIONS

Liquip's PVV104 series vents are supplied separately to VOH series manholes to allow for easier hydro testing by the customer. After testing they need to be mounted by following the instructions below.

- 1- Open the emergency vent lid by lifting the handle then the bridge to provide access to underside of lid.
- 2- Remove PVV assembly (and all loose parts) from bag and insert cylindrical gauze into dome shaped indentation as shown.
- 3- Insert ball into PVV vent and put gasket on the sealing face and mate it to the sealing face on the underside of the lid.
- 4- Insert capscrew through spring washer and then through casting and screw assembly onto lid – repeat for other side.
- 5- Tighten capscrews to a torque of 7.2Nm (5.6ft lbs)
- 6- Open and close lid a couple of times to make sure ball is free to move



PVV104, PVV104M, PVV104U & PVV104UM



SEE DATASHEET X952196 FOR MOUNTING OPTIONS

ITEM NO.	PART NUMBER	DESCRIPTION	PVV104	PVV104M	PVV104U	PVV104UM	MATERIAL
1	PVV104-1	BODY - WITH HOLE	1	1	-	-	ALUMINIUM
	PVV104-1U	BODY - WITH GROOVE	-	-	1	1	ALUMINIUM
2	PVV104-7	ROLLOVER POPPET	1	1	1	1	ALUMINIUM
3	PVV104-8	PRESSURE POPPET	1	1	1	1	ALUMINIUM
4	PVV104-9	VACUUM POPPET	1	1	1	1	ALUMINIUM
5	PVV104-13	BALL Ø38	1	1	1	1	NYLON/BRONZE
6	4250	GASKET	1	1	1	1	NBR-CORK
	0714	CAPSCREW IMPERIAL	2	-	2	-	Z/P STEEL
7	55024	CAPSCREW METRIC	-	2	-	2	ST STEEL
	0107	WASHER SPRING	2	-	2	-	Z/P STEEL
8	5269	WASHER SPRING	-	2	-	2	Z/P STEEL
	4420	SPRING	1	1	-	-	ST STEEL
9	6109	SPRING	-	-	1	1	ST STEEL
10	0096	E-CLIP IMPERIAL	1	1	1	1	Z/P STEEL
11	PVV104-3	SPRING RETAINER	1	1	1	1	ALUMINIUM
12	4347	CIRCLIP INTERNAL	1	1	1	1	Z/P STEEL
13	4419	SPRING COMPRESSION	1	1	1	1	ST STEEL
14	4421	SPRING COMPRESSION	1	1	1	1	ST STEEL
15	VOH700-19	SPARK ARRESTOR	1	1	1	1	ST STEEL
16	6436	INSTRUCTION LEAFLET	1	1	1	1	PAPER
17	59052	LABEL	-	-	1	1	ALUMINIUM
18	55031	RIVET	-	-	1	1	STEEL
19	59051	TEST CERTIFICATE	-	-	1	1	PAPER

METERS - VALVES - VENTS - MANHOLES - HOSEREELS - OVERFILL PROTECTION - LOADING ARMS - ELECTRONIC DIPSTICKS