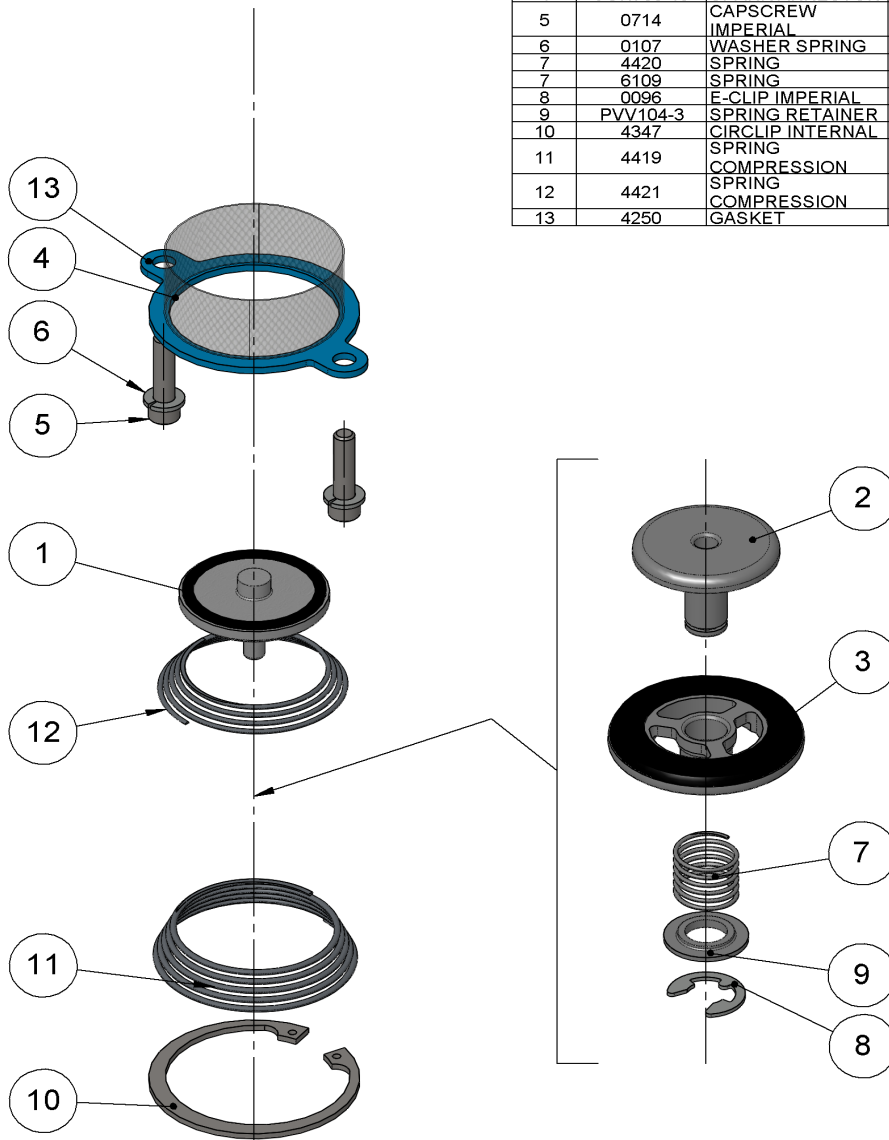


PVV104, PVV104M, PVV104U & PVV104UM REPAIR KIT INSTRUCTIONS

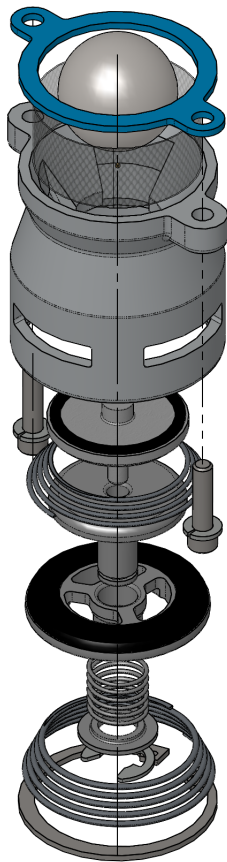
| ITEM NO. | PART NUMBER | DESCRIPTION | PVV104 | PVV104U | MATERIAL |
|----------|-------------|--------------------|--------|---------|-----------|
| 1 | PVV104-7 | ROLLOVER POPPET | 1 | 1 | ALUMINIUM |
| 2 | PVV104-8 | PRESSURE POPPET | 1 | 1 | ALUMINIUM |
| 3 | PVV104-9 | VACUUM POPPET | 1 | 1 | ALUMINIUM |
| 4 | VOH700-19 | SPARK ARRESTOR | 1 | 1 | ST STEEL |
| 5 | 0714 | CAPSCREW IMPERIAL | 2 | 2 | Z/P STEEL |
| 6 | 0107 | WASHER SPRING | 2 | 2 | Z/P STEEL |
| 7 | 4420 | SPRING | 1 | - | ST STEEL |
| 7 | 6109 | SPRING | - | 1 | ST STEEL |
| 8 | 0096 | E-CLIP IMPERIAL | 1 | 1 | Z/P STEEL |
| 9 | PVV104-3 | SPRING RETAINER | 1 | 1 | ALUMINIUM |
| 10 | 4347 | CIRCLIP INTERNAL | 1 | 1 | Z/P STEEL |
| 11 | 4419 | SPRING COMPRESSION | 1 | 1 | ST STEEL |
| 12 | 4421 | SPRING COMPRESSION | 1 | 1 | ST STEEL |
| 13 | 4250 | GASKET | 1 | 1 | NBR-CORK |



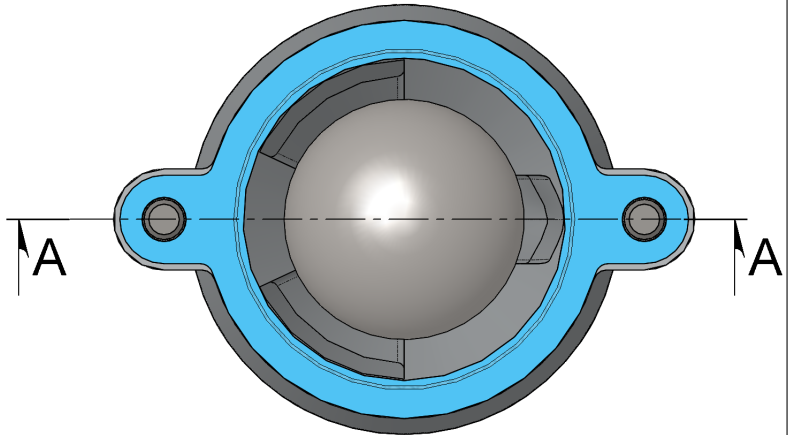
P59048 D

METERS - VALVES - VENTS - MANHOLES - HOSEREELS - OVERFILL PROTECTION - LOADING ARMS - ELECTRONIC DIPSTICKS

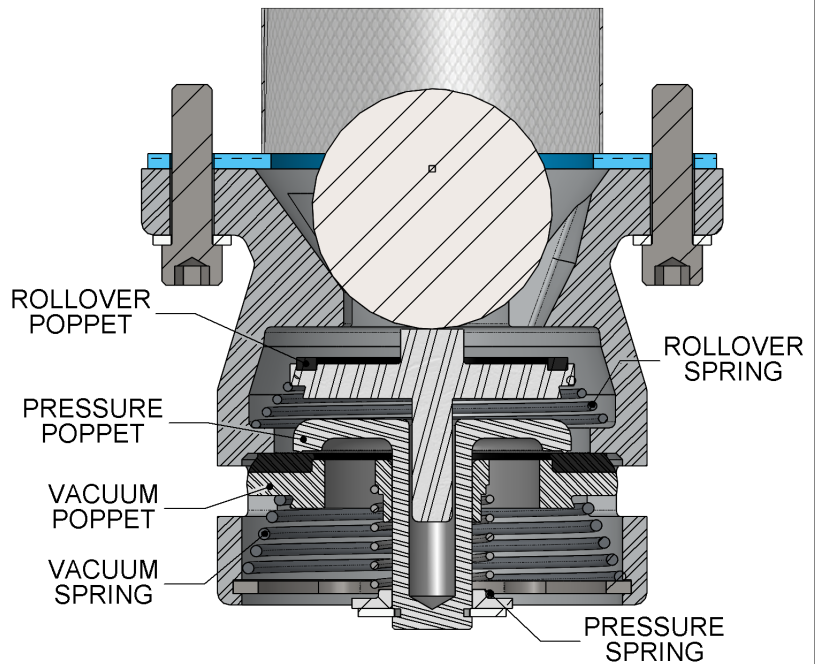
PVV104, PVV104M, PVV104U & PVV104UM REPAIR KIT INSTRUCTIONS



EXPLODED
ISOMETRIC
VIEW



TOP VIEW



SECTION A-A
SCALE 1 : 1

METERS - VALVES - VENTS - MANHOLES - HOSEREELS - OVERFILL PROTECTION - LOADING ARMS - ELECTRONIC DIPSTICKS