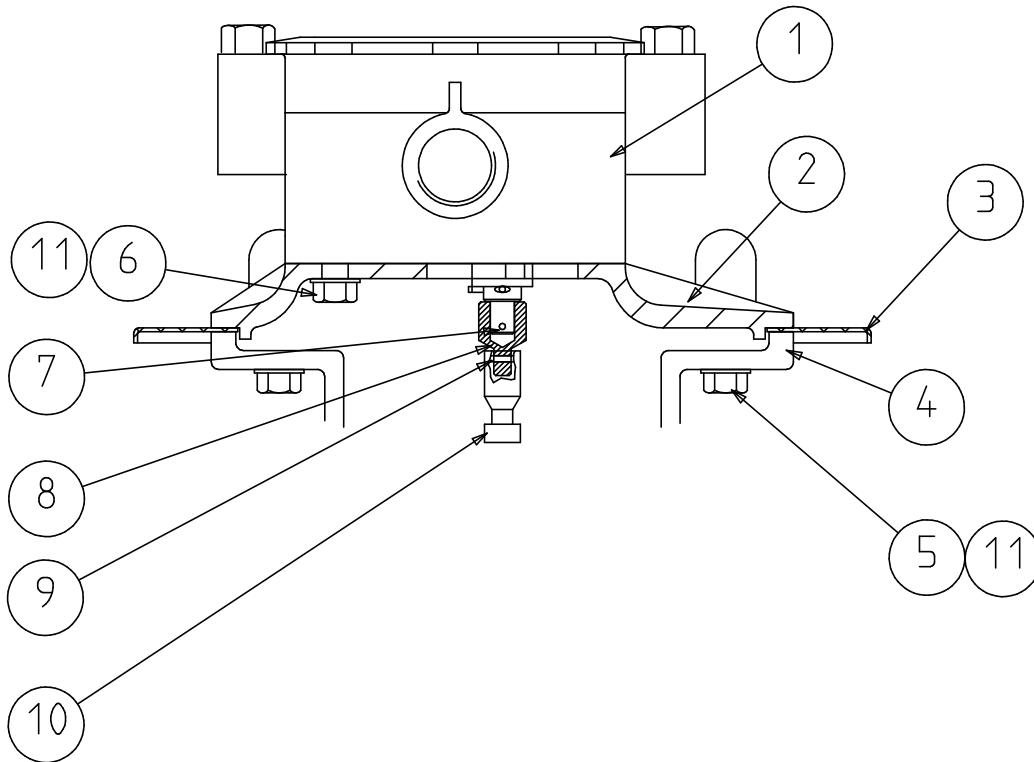


# LIQUIP

## EPM200-4Z METER KIT

FOR ELECTRONIC REMOTE PULSER TO TOP MOUNT  
TO LC METERS & SAMPI METERS WITH CALIBRATOR



ITEM	PART NO	DESCRIPTION	QTY	MATERIAL
1	-	ELECTRONIC REMOTE PULSER	-	-
2	EPM200-1	ADAPTOR BRACKET TOP MOUNT	1	AL
3	EPM200-2	WEATHER PLATE	1	AL
4	-	METER	-	-
5	4992	SETSCREW	2	Z/P M/S
	EMH500-17	SETSCREW WITH HOLE	2	Z/P M/S
6	4984	SETSCREW	3	Z/P M/S
7	0759	COTTER PIN	1	Z/P M/S
8	EMH300-10	ADAPTOR DRIVE	1	AL
9	2042	SELOX PIN	1	Z/P M/S
10	2169	DRIVE - LC METER	1	AL
11	0107	WASHER SPRING	7	Z/P M/S
12	6316	INSTRUCTION LEAFLET	1	PAPER

P6316

Issue: D

METERS - VALVES - VENTS - MANHOLES - PUMPS - HOSEREELS - OVERFILL PROTECTION - LOADING ARMS - ELECTRONIC DIPSTICKS



LIQUIP INTERNATIONAL PTY LTD

PO Box 7049  
Wetherill Park BC, 2164  
Sydney NSW Australia  
Phone: +612 9725 9000  
Fax: +612 9725 1252

DISTRIBUTORS

See website  
for Liquip branches  
and Distributors

www.liquip.com