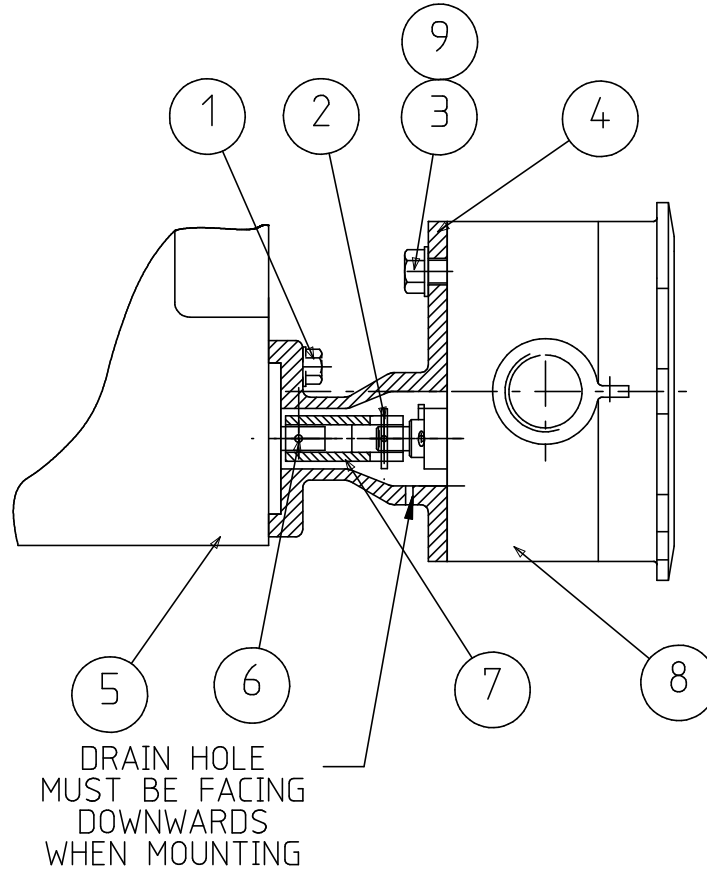


LIQUIP

EPM100-3Z METER KIT TO DIRECT MOUNT TO LC METERS & SAMPI METERS

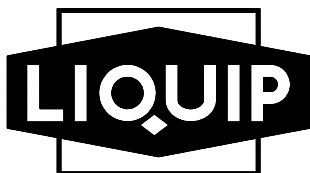


ITEM	PART NO	DESCRIPTION	QTY	MATERIAL
1	0755	SETSCREW 3/16" BSW x 1"	2	Z/P M/S
2	4850	SELOX PIN	1	Z/P M/S
3	4984	SETSCREW	1	Z/P M/S
	EMH500-18	SETSCREW WITH HOLE	2	Z/P M/S
4	EPM100-1	ADAPTOR BRACKET - DIRECT MOUNT	1	AL
5	-	METER	-	-
6	2610	SELOX PIN	1	Z/P M/S
7	EPM100-2	DRIVE DOG	1	ACETAL
8	-	ELECTRONIC REMOTE PULSER	-	-
9	0107	WASHER SPRING	3	Z/P M/S
10	0326	WASHER SPRING 3/16"	2	Z/P M/S
11	6322	INSTRUCTION LEAFLET	1	PAPER

P6322

Issue: E

METERS - VALVES - VENTS - MANHOLES - PUMPS - HOSEREELS - OVERFILL PROTECTION - LOADING ARMS - ELECTRONIC DIPSTICKS



LIQUIP INTERNATIONAL PTY LTD

PO Box 7049
Wetherill Park BC, 2164
Sydney NSW Australia
Phone: +612 9725 9000
Fax: +612 9725 1252

DISTRIBUTORS

See website
for Liquip branches
and Distributors

www.liquip.com