

AVV3SSxx: Stainless Steel Air Operated Vapour Vents

AVV3SSxx is an air operated chemical vapour vent that has been designed for superior chemical compatibility and resistance.

The AVV3SSxx is a sequential vapour vent with the exhaust from the previous vent opening the next in line. The outlet from the last vent can be used via a pressure switch to activate the overfill protection system, once all vents are open.

It has a 90mm nominal diameter opening for reduced pressure drop and increased vapour flow during loading and unloading.



AVV3SSC shown

Features & Benefits

- Adjustment free.
- Low maintenance.
- 90mm nominal diameter opening for minimum full 80mm flow throughout.
- Piston operation for sequential operation.
- Downward opening poppet to prevent leaks from product surge, in the event of a tanker rollover.
- The sequencing valve is offered to ensure the main poppet is fully open before next vent opens.
- The end signal can then be used to allow loading/unloading in the certainty that all vapour vent poppets are open.
- Air cylinder is serviceable without removing the valve from tank.
- Normally closed

Ordering Information

LIQAVV3SSC: Chemical Air operated vapour vent, FFKM seals.

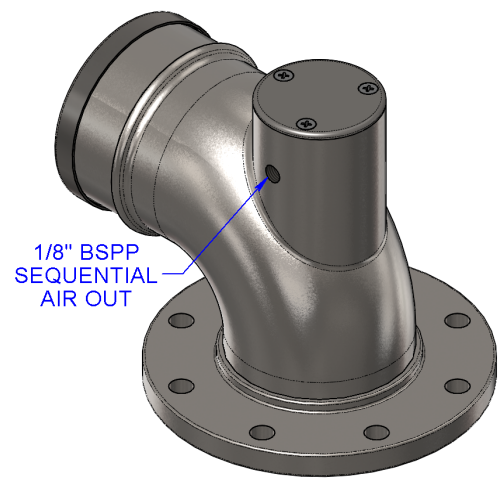
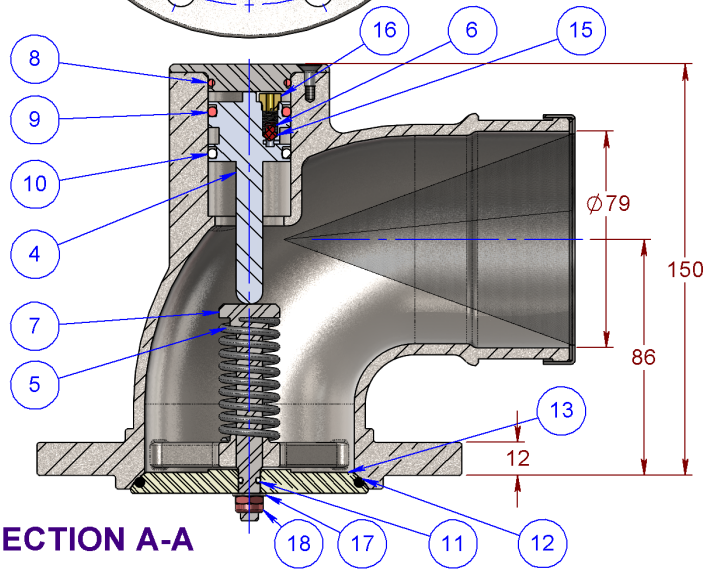
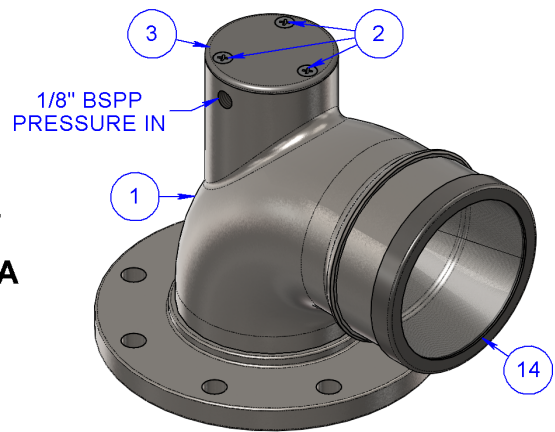
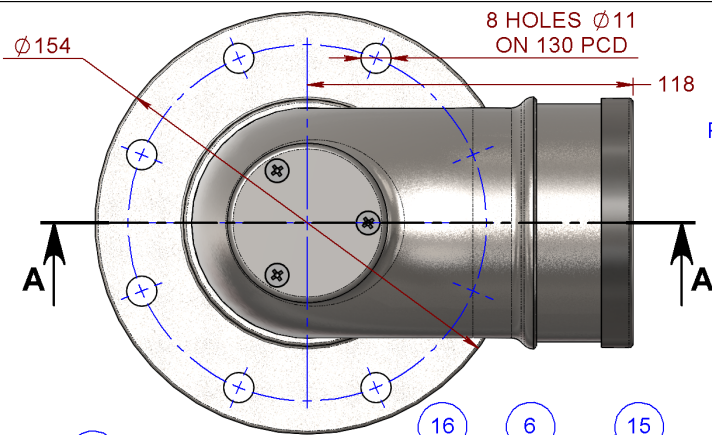
LIQAVV3SSVG: Chemical Air operated vapour vent, Viton GFLT seals.

Technical Information

Operating Pressure	Operating air cylinder pressure: 70 to 900 kPa (normal 500 kPa). Opening pressure: 7 kPa vacuum.
Air Consumption	1.0L free air stroke
Mounting	Bolted from the outside to a blind Stainless Steel weld flange. Flange mount: 8 hole equally spaced, 11mm on a 130mm PCD. 154mm OD.
Materials	Body: 316 Stainless Steel Seals: FFKM or Viton™ GFLT.
Associated Equipment	AVV3SS-10L: Stainless Steel weld in mount flange to mount on tank top. AVV3SS-11: 316 Stainless Steel flame arresting Gauze (optional). AVV3-12: Polyurethane louvre kit with flame arresting gauze. VH3.5: 90mm Nitrile hose (check suitability for chemical products).



AVV3SSxx Chemical Vapour Vent



ITEM	PART No	DESCRIPTION	AVV3SSC	AVV3SSVG	MATERIAL
1	AVV3SS-1A	BODY FOR 3" VAPOUR VENT	1	1	ST STEEL
2	6548	SCREW MET C/SUNK PH	3	3	ST STEEL
3	AVV3SS-2	END CAP	1	1	ST STEEL
4	AVV3SS-3	PISTON	1	1	ST STEEL
5	6130	SPRING	1	1	ST STEEL
6	6183	SPRING COMPRESSION	1	1	ST STEEL
7	AVV3SS-4	POPPET SHAFT	1	1	ST STEEL
8	7004	O-RING	1	1	VITON A
9	4574	O-RING	1	-	VITON A
	4574VG	O-RING	-	2	VITON GFLT
10	7569	O-RING	1	-	FFKM
11	7581	O-RING	1	-	FFKM
	6088VG	O-RING	-	1	VITON GFLT
12	7593	O-RING TO BS1806 & SAE AS568A	1	-	FFKM
	4507VG	O-RING TO BS1806 & SAE AS568A	-	1	VITON GFLT
13	AVV3SS-8A	POPPET - CHEMICAL	1	1	ST STEEL
14	AVV3SS-11	FLAME ARRESTING GAUZE (SUPPLY SEPARATELY)	NOTE	NOTE	ST STEEL
15	7617	SEAL, CHECK VALVE	1	1	VITON A
16	55083	SCREW RETAINING	1	1	BRASS
17	6550	WASHER FLAT	1	1	ST STEEL
18	6549	NUT HALF GLENLOC	1	1	ST STEEL

NOTE: GAUZE IS AN OPTIONAL EXTRA AND MUST BE ORDERED SEPARATELY

METERS - VALVES - VENTS - MANHOLES - HOSEREELS - OVERFILL PROTECTION - LOADING ARMS - ELECTRONIC DIPSTICKS



LIQUIP INTERNATIONAL PTY LTD

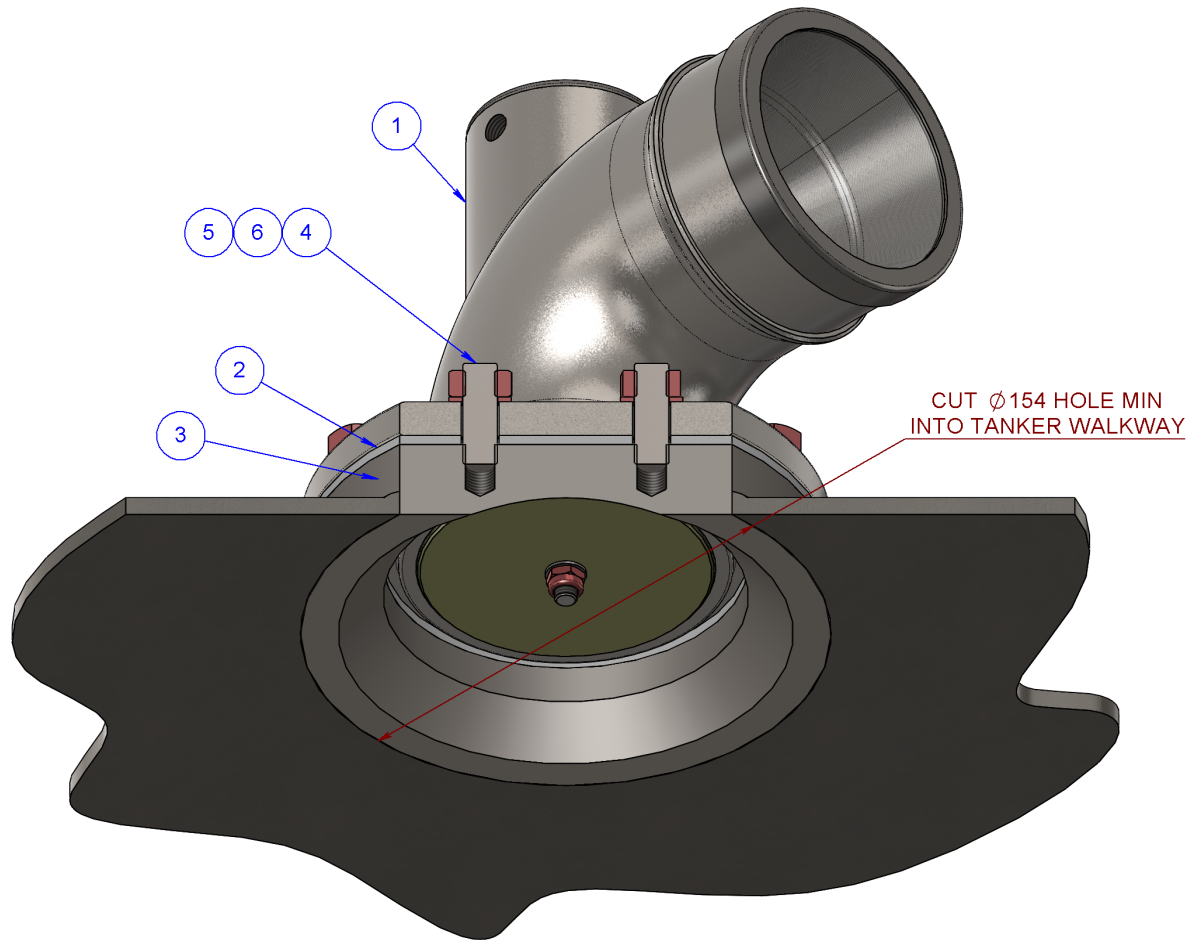
13 HUME ROAD SMITHFIELD SYDNEY N.S.W. AUSTRALIA 2164

Phone: +61 2 9725-9000 Web: www.liquip.com

X200618

Sheet 1 of 2
Issue: A

AVV3SSxx Chemical Vapour Vent



BEFORE WELDING, CONFIRM FLANGE IS ORIENTED FOR VENT TO CONNECT TO ROLLOVER COAMING (IF APPLICABLE)

ITEM	PART No	DESCRIPTION	QTY	MATERIAL
1	AVV3SSC	VAPOUR VENT MANUFACTURED	1	REFER TO BOM
2	4326	GASKET MOUNTING	1	TEFLON
3	AVV3SS-10	WELD FLANGE FOR AVV3SS	1	ST STEEL
4	6551	STUDBOLT METRIC	8	ST STEEL
5	6475	WASHER SPRING	8	ST STEEL
6	6474	NUT METRIC	8	ST STEEL

METERS - VALVES - VENTS - MANHOLES - HOSEREELS - OVERFILL PROTECTION - LOADING ARMS - ELECTRONIC DIPSTICKS

LIQUIP
PART OF OPW a DOVER company

LIQUIP INTERNATIONAL PTY LTD
13 HUME ROAD SMITHFIELD SYDNEY N.S.W. AUSTRALIA 2164
Phone: +61 2 9725-9000 Web: www.liquip.com

X200618

Sheet 2 of 2
Issue: A